



RANGE OF PERFORMANCE

Flow rate up to 3600 l/h

LIMITS OF USE

Manometric suction lift up to 45 m

Liquid temperature up to + 40°C

Environment temperature up to + 40°C

CONSTRUCTION AND SAFETY STANDARDS

EN 60 335-1

EN 60034-1

IEC 335-1

IEC 34-1

CEI 61-150

CEI 2-3



INSTALLATION AND USE

JDW SELF-PRIMING PUMPS ARE DESIGNED FOR LIFTING WATER FROM DEPTHS GREATER THAN 9M, INCLUDING CASES WITH ENTRAINED AIR. THEY ARE RECOMMENDED FOR DOMESTIC USE INCLUDING WATER DISTRIBUTION (AS PART OF A PRESSURE SET), GARDEN IRRIGATION, ETC.

The pumps must be installed in enclosed places, or at least protected against inclement weather.

GUARANTEE 2 YEARS subject to our general terms of sale.

CONSTRUCTION CHARACTERISTICS

- **PUMP BODY:** cast iron, with threaded ports ISO 228/1.
- **EJECTOR BODY:** cast iron
- **NOZZLE, VENTURI AND DIFFUSER:** technopolymer.
- **IMPELLER:** brass.
- **MOTOR SHAFT:** stainless steel EN 10088-3 - 1.4104.
- **MECHANICAL SEAL:** ceramic - graphite - NBR.
- **ELECTRIC MOTOR:** the pumps are close-coupled to a carefully matched PEDROLLO electric motor, quiet running, totally enclosed fan cooled (TEFC), suitable for continuous duty..
JDWm: single-phase 230 V - 50 Hz with capacitor and thermal overload protector.
JDW: three-phase 230/400 V - 50 Hz.
- **INSULATION:** class F. ● **PROTECTION:** IP 44.

OPTIONS ON REQUEST

- ⇒ impeller in **technopolymer** (JDWm...X - JDW...X)
- ⇒ other voltages or frequency 60 Hz

DESCRIPTION

JDW m 1C / 30 - 4"

Series _____

Single-phase motor _____

Motor size _____

Type of nozzle and venturi _____

Min. well diameter in inches _____

4"

JDW self-priming pumps for 4" wells (with immersed ejector)



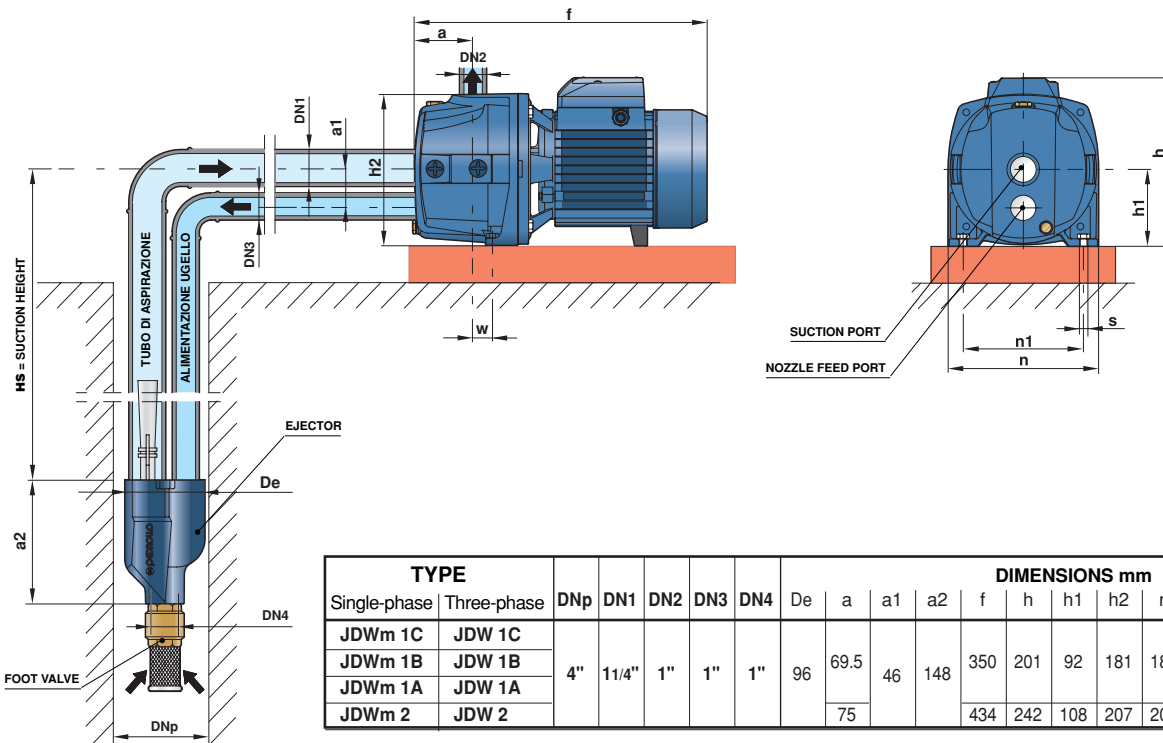
PERFORMANCE DATA AT n= 2900 1/min

TYPE		POWER		HS	FLOW RATE LITRES/HOUR																								
					TOTAL MANOMETRIC HEAD IN METRES																								
Single-phase	Three-phase	kW	HP	metres	0	120	240	360	480	600	720	840	960	1080	1200	1440	1560	1680	1800	1920	2040	2160	2400	2700	3000	3300	3600		
JDWm 1C/30 -4"	JDW 1C/30-4"				0.50	0.70	15	41	37	32	29	25	23	20	18	16	14	12											
JDWm 1B/30 -4"	JDW 1B/30-4"	0.60	0.85	45	41	37		33	30	27	24	22	20	18	16	12													
JDWm 1A/30 -4"	JDW 1A/30-4"	0.75	1	53	50	46		42	39	37	34	31	29	27	24	20													
JDWm 2/30 -4"	JDW 2/30 -4"	1.1	1.5	81	75	70		65	61	57	53	50	47	44	41	35	32.5	30											
JDWm 1C/20 -4"	JDW 1C/20-4"	0.50	0.70	28	24	22		21	19	18	16	14	13	12	11	10	9												
JDWm 1B/20 -4"	JDW 1B/20-4"	0.60	0.85	31	28	26		25	23	21.5	20	18.5	17	16	15	13	12.5	11.5											
JDWm 1A/20 -4"	JDW 1A/20-4"	0.75	1	40	36	34		32	30	28	27	26	24.5	23	22	19	18	17	16	15	14								
JDWm 2/20 -4"	JDW 2/20 -4"	1.1	1.5	67	65	62		60	58	56	54	52.5	51	49	47	44	42.5	41	39.5	38	36	35	32	29					
JDWm 1C/10 -4"	JDW 1C/10-4"	0.50	0.70	21	20	18		17	16	15.5	15	14	13	12	11.5	11	10	9.5	9										
JDWm 1B/10 -4"	JDW 1B/10-4"	0.60	0.85	24	23	22		21	20	19.5	19	18	17	16	15.5	14	13.5	13	12	11									
JDWm 1A/10 -4"	JDW 1A/10-4"	0.75	1	30	29	28		27	26	25.5	25	24	23	22	21	20	19.5	18.5	17.5	17	16	15							
JDWm 2/10 -4"	JDW 2/10 -4"	1.1	1.5	51	50	49		48	47	46	45	44.5	44	43	42	41	40	39	38	37	36.5	36	34.5	33	30.5	29	27		
JDWm 1C/30 -4"	JDW 1C/30-4"	0.50	0.70	20	36	32		27	24	20	17	14	12																
JDWm 1B/30 -4"	JDW 1B/30-4"	0.60	0.85		38	34		31	28	25	21.5	19	17	14	12														
JDWm 1A/30 -4"	JDW 1A/30-4"	0.75	1		46	42	38	34	31	28	25	22	20	18	16														
JDWm 2/30 -4"	JDW 2/30 -4"	1.1	1.5		74	68.5	63	59	54	50	46	43	40	37.5	35	32.5	30												
JDWm 2/20 -4"	JDW 2/20 -4"	1.1	1.5		58	56	53	51	49	47	45.5	44	42	40	39	36	35	33	32	31	30								
JDWm 1C/30 -4"	JDW 1C/30-4"	0.50	0.70		30	23	19	15	12																				
JDWm 1B/30 -4"	JDW 1B/30-4"	0.60	0.85			25	21	17	14																				
JDWm 1A/30 -4"	JDW 1A/30-4"	0.75	1			32	27	22	18	15.5																			
JDWm 2/30 -4"	JDW 2/30 -4"	1.1	1.5			61	56	51	46.5	42	38	35	32.5	30															
JDWm 1A/30 -4"	JDW 1A/30-4"	0.75	1		35	25	18.5	14																					
JDWm 2/30 -4"	JDW 2/30 -4"	1.1	1.5	54		49	45	40	36	33	30																		
JDWm 2/30 -4"	JDW 2/30 -4"	1.1	1.5	40	47	42.5	38	34	30																				
JDWm 2/30 -4"	JDW 2/30 -4"	1.1	1.5		40	35	30																						
JDWm 2/30 -4"	JDW 2/30 -4"	1.1	1.5	45	40	35	30																						

HS = Suction height

Tolerance of the performance curves according to EN ISO 9906 App. A.

DIMENSIONS AND WEIGHTS



TYPE		DIMENSIONS mm													kg*					
Single-phase	Three-phase	DNp	DN1	DN2	DN3	DN4	De	a	a1	a2	f	h	h1	h2	n	n1	w	s	1~	3~
JDWm 1C	JDW 1C	4"	1 1/4"	1"	1"	1"	96	69.5	46	148	350	201	92	181	180	144	24	10	15.0	15.0
JDWm 1B	JDW 1B							75	434	242	108	207	206	164	22	15.3	15.3			
JDWm 1A	JDW 1A							75	434	242	108	207	206	164	22	16.4	15.4			
JDWm 2	JDW 2							75	434	242	108	207	206	164	22	24.6	22.7			

(*weight includes ejector)

3"

JDW self-priming pumps for 3" wells (with immersed ejector)



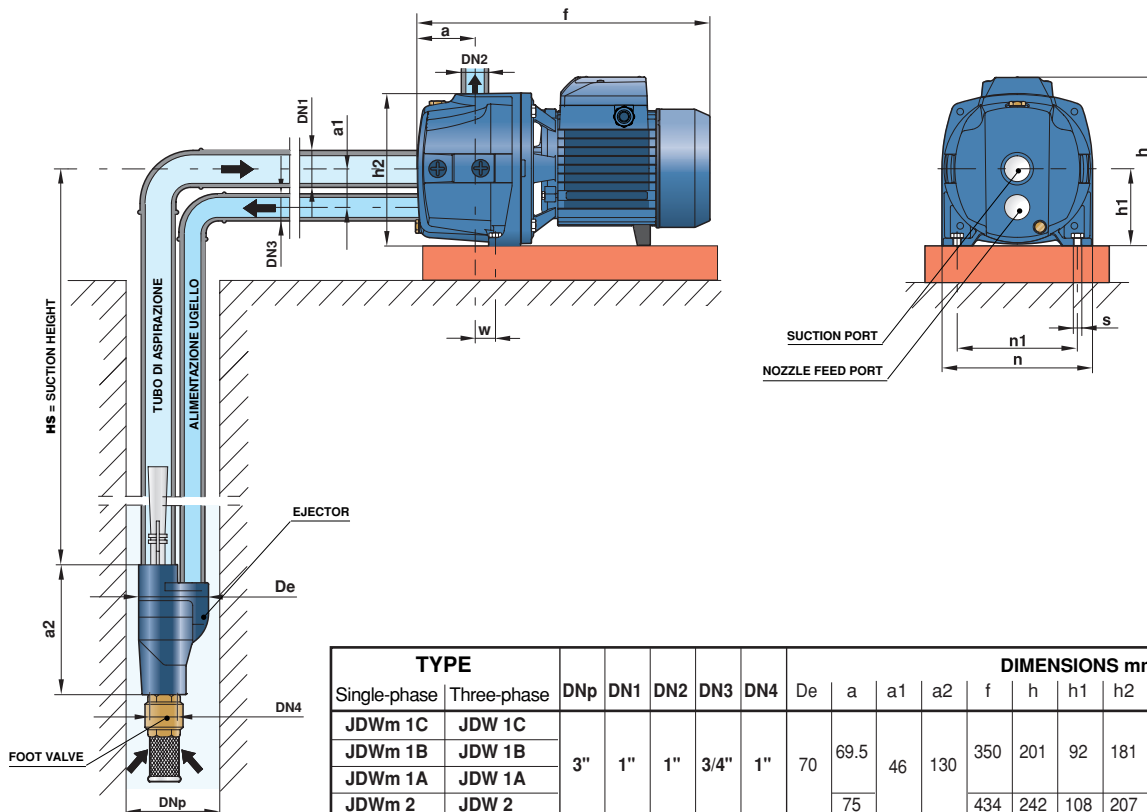
PERFORMANCE DATA AT n= 2900 1/min

TYPE		POWER		HS metres	FLOW RATE LITRES/HOUR								
Single-phase	Three-phase	kW	HP		0	120	240	360	480	600	720	840	960
TOTAL MANOMETRIC HEAD IN METRES													
JDWm 1C -3"	JDW 1C -3"	0.50	0.70	15	32	28	24	22	19	18	15		
JDWm 1B -3"	JDW 1B -3"	0.60	0.85		36	32	29	26	24	22	19	17	
JDWm 1A -3"	JDW 1A -3"	0.75	1		39	35	32	29	27	25	22	20	17
JDWm 2 -3"	JDW 2 -3"	1.1	1.5		61	56	51	46	42	38	35	33	30
JDWm 1C -3"	JDW 1C -3"	0.50	0.70	20	26	23	19	17					
JDWm 1B -3"	JDW 1B -3"	0.60	0.85		30	27	24	21	18				
JDWm 1A -3"	JDW 1A -3"	0.75	1		33	30	27	23	21	17			
JDWm 2 -3"	JDW 2 -3"	1.1	1.5		55	50	46	41	37	33	30		
JDWm 1C -3"	JDW 1C -3"	0.50	0.70	25	19	15							
JDWm 1B -3"	JDW 1B -3"	0.60	0.85		23	19							
JDWm 1A -3"	JDW 1A -3"	0.75	1		27	24	22						
JDWm 2 -3"	JDW 2 -3"	1.1	1.5		47	43	39	36	33				
JDWm 2 -3"	JDW 2 -3"	1.1	1.5	30	39	34	30						

HS = Suction height

Tolerance of the performance curves according to EN ISO 9906 App. A.

DIMENSIONS AND WEIGHTS



TYPE		DIMENSIONS mm																kg*		
Single-phase	Three-phase	DNp	DN1	DN2	DN3	DN4	De	a	a1	a2	f	h	h1	h2	n	n1	w	s	1~	3~
JDWm 1C	JDW 1C	3"	1"	1"	3/4"	1"	70	69.5	46	130	350	201	92	181	180	144	24	10	14.3	14.3
JDWm 1B	JDW 1B																		14.6	14.6
JDWm 1A	JDW 1A																		15.7	14.7
JDWm 2	JDW 2																		23.9	22.0

(*weight includes ejector)

2"

JDW self-priming pumps for 2" wells (with immersed ejector)



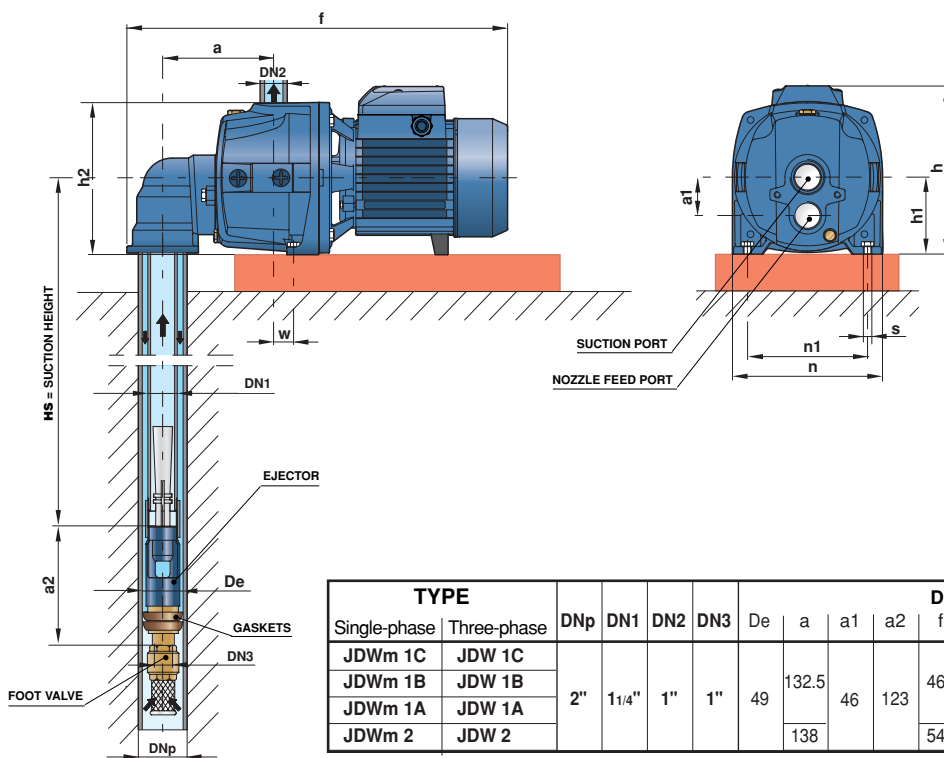
PERFORMANCE DATA AT n = 2900 1/min

TYPE		POWER		HS metres	FLOW RATE LITRES/HOUR										
Single-phase	Three-phase	kW	HP		0	120	240	360	480	600	720	840	960	1080	1200
TOTAL MANOMETRIC HEAD IN METRES															
JDWm 1C -2"	JDW 1C -2"	0.50	0.70	15	46	42	37	34	30	28	25	22	19	17	
JDWm 1B -2"	JDW 1B -2"	0.60	0.85		50	46	42	39	35	32	30	27	24	21	19
JDWm 1A -2"	JDW 1A -2"	0.75	1		54	50	46	43	39	36	34	31	28	25	23
JDWm 2 -2"	JDW 2 -2"	1.1	1.5	20	85	78	74	70	66	61	57	53	48	44	40
JDWm 1C -2"	JDW 1C -2"	0.50	0.70		34	29	24	21	18	16	13	11			
JDWm 1B -2"	JDW 1B -2"	0.60	0.85		38	33	29	26	23	21	18	16	14		
JDWm 1A -2"	JDW 1A -2"	0.75	1	25	40	35	31	28	25	23	20	18	16		
JDWm 2 -2"	JDW 2 -2"	1.1	1.5		71	63	58	54	50	46	43	39	36	34	
JDWm 1C -2"	JDW 1C -2"	0.50	0.70		28	24	20	18	15	13					
JDWm 1B -2"	JDW 1B -2"	0.60	0.85	30	32	28	25	23	20	17	14				
JDWm 1A -2"	JDW 1A -2"	0.75	1		35	31	28	26	23	20	17				
JDWm 2 -2"	JDW 2 -2"	1.1	1.5		64	59	55	51	47	43	39	36			
JDWm 1C -2"	JDW 1C -2"	0.50	0.70	35	23	18	13								
JDWm 1B -2"	JDW 1B -2"	0.60	0.85		27	22	18	15							
JDWm 1A -2"	JDW 1A -2"	0.75	1		28	24	21	17							
JDWm 2 -2"	JDW 2 -2"	1.1	1.5	40	56	50	46	42	38	34	31				
JDWm 1B -2"	JDW 1B -2"	0.60	0.85		21	15									
JDWm 1A -2"	JDW 1A -2"	0.75	1		23	18	15								
JDWm 2 -2"	JDW 2 -2"	1.1	1.5	45	51	45	41	37	33						
JDWm 2 -2"	JDW 2 -2"	1.1	1.5		41	36	33								
JDWm 2 -2"	JDW 2 -2"	1.1	1.5		36	30									

HS = Suction height

Tolerance of the performance curves according to EN ISO 9906 App. A.

DIMENSIONS AND WEIGHTS



TYPE		DNp	DN1	DN2	DN3	De	DIMENSIONS mm										kg*		
Single-phase	Three-phase						a	a1	a2	f	h	h1	h2	n	n1	w	s	1~	3~
JDWm 1C	JDW 1C	2"	1 1/4"	1"	1"	49	132.5	46	123	460	201	92	181	180	144	24	10	15.9	15.9
JDWm 1B	JDW 1B									16.2	16.2								
JDWm 1A	JDW 1A						17.3	16.3											
JDWm 2	JDW 2						138	540	242	108	207	206	164	22	25.5	23.2			

(*weight includes ejector and adaptor)