



SINCE 1976

SHOWFOU PUMP

SUBMERSIBLE DRAINAGE PUMP

修附電機



標檢局

ISO-9001/CNS12681

SC/SF

一般污水用

SCA/SFA

自動浮球污水用

SC/SF

Drainage pump

SCA/SFA

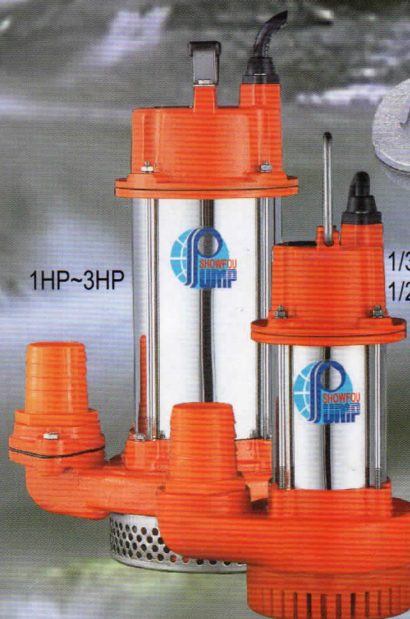
Automatic drainage pump



SC 1/3HP~1HP



SCA 1/3HP~1HP



SF 1/3HP~3HP



SFA 1/3HP~1HP

修附電機股份有限公司

SHOWFOU ELECTRIC MACHINE CO., LTD.

CAT. NO.: C0212-8

SC -- SUBMERSIBLE DRAINAGE PUMP

SCA -- AUTOMATIC SUBMERSIBLE DRAINAGE PUMP

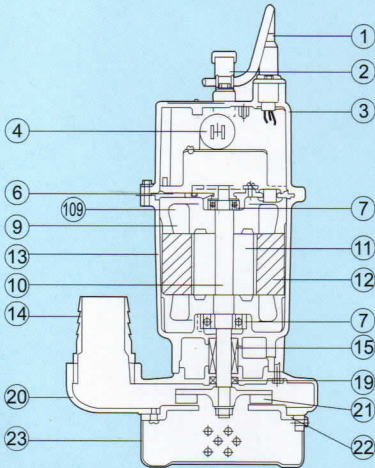
■ FEATURES:

- A. Motor: Dry motor with level of protection IP 68, suitable for continuous duty.
- B. Thermal Protector: Single phase model built-in thermal protector prevents any burning damage to the motor.
- C. Pump Casing: Tough cast iron casing guarantees high pumping efficiency.
- D. Impeller: Excellent durability, semi-open type impeller design, prevents clogging by mud, sand, etc.
- E. Suction Cover: Easily replaceable.
- F. Triplex Seals: Equipped with double mechanical seal with one oil seal.

■ APPLICATION:

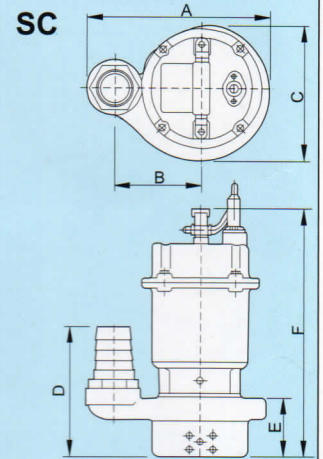
- 1. Civil engineering & construction.
- 2. Fountains and water features
- 3. Tunnel & caisson drainage.
- 4. Agricultural irrigation.
- 5. Drainage of seepage water, pumping of rain waste water, draining of environments, bathing and swimming pools, industrial applications

■ CONSTRUCTIONS:



NO.	PARTS LIST	MATERIAL
1	Cable	V. C. T.
2	Handle	Stainless Steel
3	Motor Head Cover	Cast Iron
4	Condenser	1ø only
6	Upper Bracket	1ø only
7	Upper Ball Bearing	Cast Iron
9	Coil	
10	Shaft	Stainless Steel
11	Rotor	Steel Plate
12	Stator	Steel Plate
13	Motor Casing	Cast Iron
14	Hose Coupling	Plastic
15	Mechanical Seal	Ceramic-Carbon
19	Oil Seal	Synthetic Rubber
20	Pump Casing	Cast Iron
21	Impeller	Cast Iron
22	Suction Cover	Cast Iron
23	Strainer	Steel
24	Float Switch	Only for SCA

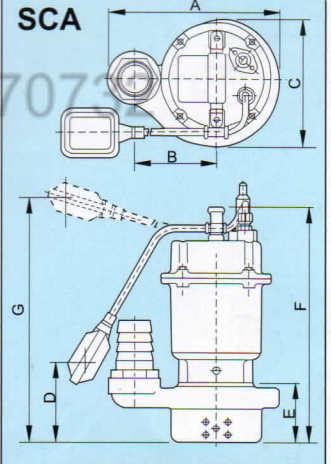
■ DIMENSIONS



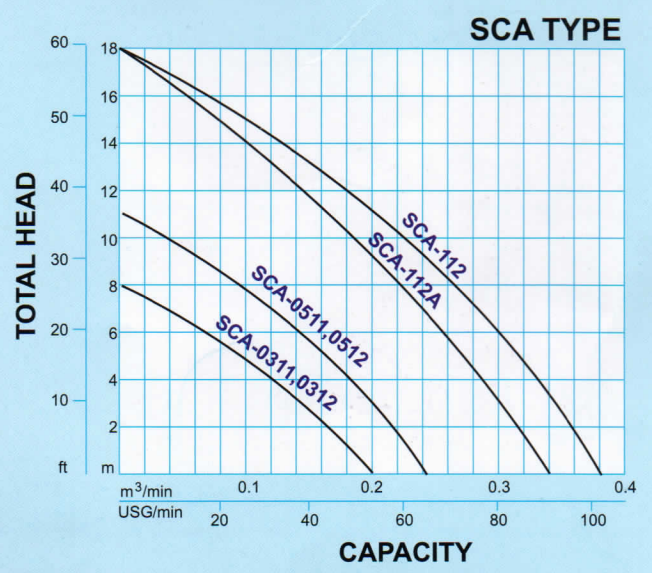
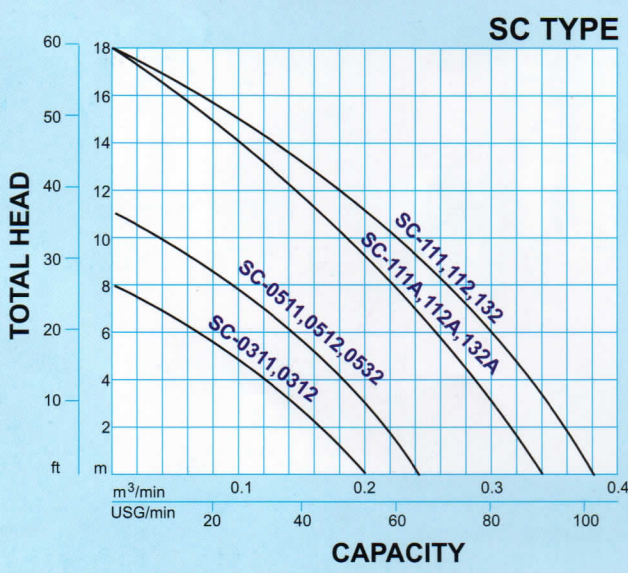
■ SPECIFICATIONS 50Hz/60Hz

■ DIMENSIONS

型式 TYPE	電動機 MOTOR			抽水機 PUMP			電纜 Cable	重量 Weight	Spherical Solid Handling	尺寸 SIZE								
	Power KW	Phase PH	Volt V	Disch. Dia. mm/inch	Max. Head M	Max. Flow M ³ /MIN				A	B	C	D	E	F	G		
DRAINAGE PUMP																		
SC-0311	0.25	1/3	1	110	40	1 1/2"	8	0.20	1.25 ² x6	15	7	225	110	170	163	80	350	
SC-0312				220														
SC-0511			1	110														
SC-0512	0.4	1/2	1	220	50	2"	11	0.24	1.25 ² x6	18	7	255	120	190	165	85	410	
SC-0532			3	220-440														
SC-111A			1	110					2 ² x6	26	7	255	120	190	165	85	430	
SC-112A			1	220	50	2"	18	0.34	1.25 ² x6	25	7	255	120	190	165	85	430	
SC-132A	0.75	1	3	220-440														
SC-111			1	110					2 ² x6	28	7	310	125	210	225	95	430	
SC-112			1	220	80	3"	18	0.38	1.25 ² x6	27	7	310	125	210	225	95	430	
SC-132			3	220-440														
AUTOMATIC DRAINAGE PUMP																		
SCA-0311	0.25	1/3	1	110	40	1 1/2"	8	0.20	1.25 ² x6	15	7	225	110	170	85	80	350	400
SCA-0312				220														
SCA-0511			1	110														
SCA-0512	0.4	1/2	1	220	50	2"	11	0.24	1.25 ² x6	18	7	255	120	190	90	85	410	450
SCA-112A			1	220	50	2"	18	0.34	1.25 ² x6	26	7	255	120	190	90	85	430	480
SCA-112	0.75	1	1	220	80	3"	18	0.38	1.25 ² x6	28	7	310	155	210	100	95	430	480



■ PERFORMANCE CURVE 50Hz (RPM: 3000) / 60 Hz (RPM: 3600)



SF -- SUBMERSIBLE DRAINAGE PUMP

SFA -- AUTOMATIC SUBMERSIBLE DRAINAGE PUMP

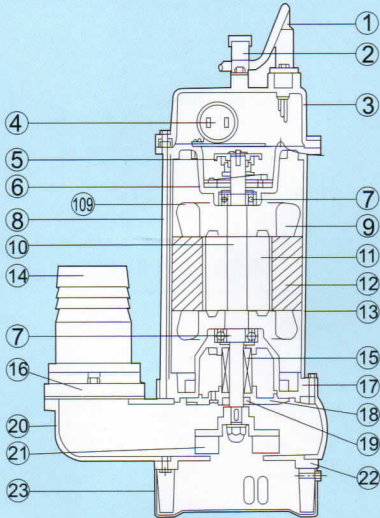
FEATURES:

1. Mini size light-weight , best quality among similar type.
2. The housing of motor and screws are manufactured with stainless steel.
3. The pumping performance is better, electricity-saving. The water volume is large and its usage and maintenance are very convenient.
4. Supplied with float level switch in the Automatic version - SFA type.

APPLICATION:

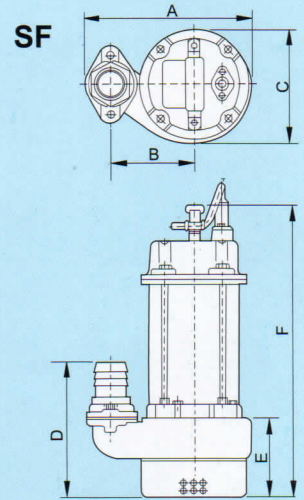
1. Civil engineering & construction.
2. Fountains and water features
3. Tunnel & caisson drainage.
4. Agricultural irrigation.
5. Drainage of seepage water, pumping of rain waste water, draining of environments, bathing and swimming pools, industrial applications

CONSTRUCTIONS:



NO.	PARTS LIST	MATERIAL
1	Cable	V. C. T.
2	Handle	Stainless Steel(1/2-3HP)
3	Motor Head Cover	Cast Iron
4	Condenser	1φ only
5	Centrifugal Switch	1φ only
6	Upper Bracket	Cast Iron
7	Upper Ball Bearing	
8	Bolt	Stainless Steel
9	Coil	
10	Shaft	Stainless Steel
11	Rotor	Steel Plate
12	Stator	Steel Plate
13	Motor Casing	Stainless Steel
14	Hose Coupling	Plastic & Cast Iron
15	Mechanical Seal	Ceramic-Carbon
16	Flange Setter	Cast Iron
17	Motor Lower Cover	Cast Iron
18	Mechanical Seal Cover	Plastic / Cast Iron
19	Oil Seal	Synthetic Rubber
20	Pump Casing	Cast Iron
21	Impeller	Cast Iron / Bronze
22	Suction Cover	Cast Iron
23	Strainer	Plastic (1/3HP& 1/2HP) Stainless Steel (1-3HP)
24	Float Switch	Only for SFA

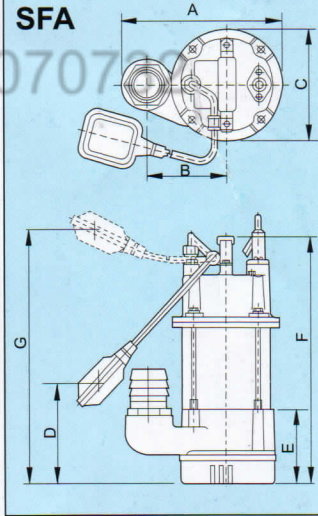
DIMENSIONS



SPECIFICATIONS 50Hz/60Hz

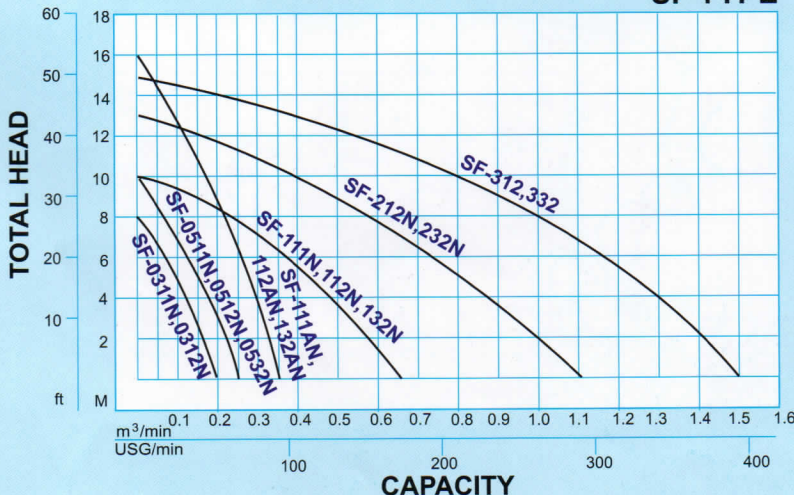
DIMENSIONS

型式 TYPE	電動機 MOTOR			抽水機 PUMP			電纜 Cable	重量 Weight	Spherical Solid Handling	尺寸 SIZE								
	Power KW HP	Phase PH	Volt V	Disch. Dia. mm inch	Max. Head M	Max. Flow M ³ /MIN				A	B	C	D	E	F	G		
DRAINAGE PUMP																		
SF-0311N	0.25	1/3	1	110	40	1 1/2"	8	0.20	1.25 ² x6	9	4	200	100	140	155	75	340	
SF-0312N				220														
SF-0511N			1	110														
SF-0512N	0.4	1/2	1	220	50	2"	10	0.22	1.25 ² x6	11	4	215	120	155	161	80	355	
SF-0532N			3	220-440														
SF-111AN			1	110														
SF-112AN			3	220	50	2"	16	0.35	2 ² x6	21	6	265	130	190	180	85	460	
SF-132AN	0.75	1	3	220-440														
SF-111N			1	110														
SF-112N			3	220	80	3"	10	0.65	2 ² x6	24	6	300	150	190	240	125	505	
SF-132N			3	220-440														
SF-212N	1.5	2	1	220	100	4"	13	1.10	3.5 ² x10	35	9	385	192	225	280	130	545	
SF-232N			3	220-440						30		385	192	225	280	130	440	
SF-312	2.2	3	1	220	125	5"	15	1.50	3.5 ² x10	48	9	410	200	240	300	140	585	
SF-332			3	220-440						46		410	200	240	300	140	485	
AUTOMATIC DRAINAGE PUMP																		
SFA-0311N	0.25	1/3	1	110	40	1 1/2"	8	0.20	1.25 ² x6	9	4	200	100	140	80	75	340	425
SFA-0312N				220														
SFA-0511N			1	110														
SFA-0512N	0.4	1/2	1	220	50	2"	10	0.22	1.25 ² x6	11	4	235	120	155	85	80	355	450
SFA-1112AN	0.75	1	1	220	50	2"	16	0.35	2 ² x6	21	6	265	130	190	90	85	460	500
SFA-112N			3	220	80	3"	10	0.65	2 ² x6	24	6	300	150	190	100	125	505	550

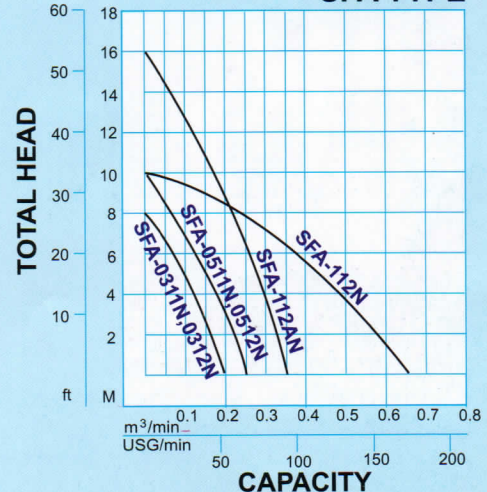


PERFORMANCE CURVE 50Hz (RPM: 3000) / 60 Hz (RPM: 3600)

SF TYPE



SFA TYPE



幫浦特性試驗表

電腦編號：1SC-0106122202

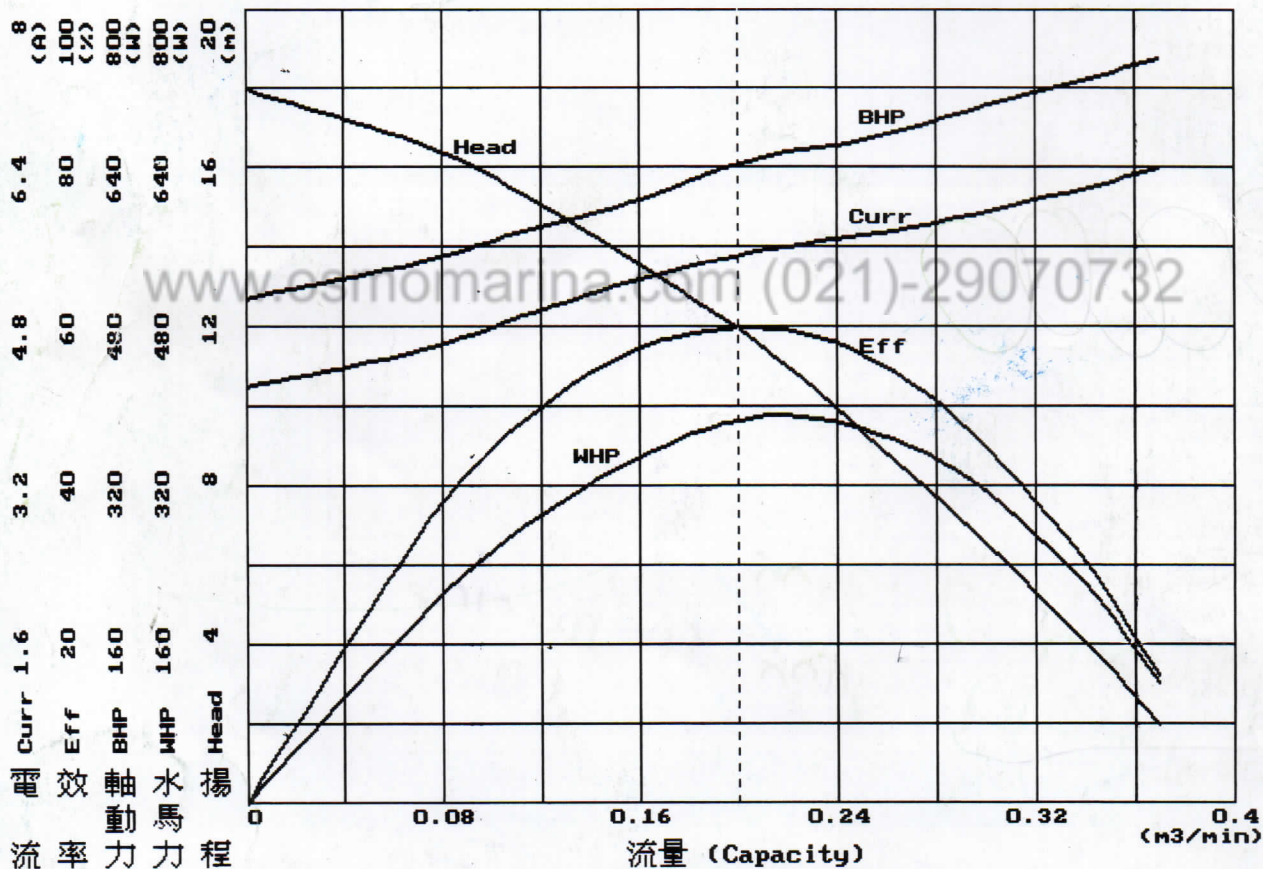
型式：SC-112A

印表日期：95年09月01日
試驗日期：95年09月01日

電動機	週率 (Hz)	馬力 (HP)	電壓 (V)	相數 (PH)	電流 (A)	極數 (P)	回轉速 RPM	幫浦	口徑 (mm)	葉輪開放式	葉輪封閉式
MOTOR	60	1	220	1	7	2	3600	PUMP	50	✓	

試驗液體：(清水) 吐出量測定方式：_____ 常溫：32.2°C 水溫：29.8°C

測試點	流量 m ³ /min	揚程 m	電 動 機 MOTOR				幫 浦 PUMP		
			電 壓 V	電 流 A	入 力 (Pin) KW	出 力 (BHP) KW	水馬力 (WHP) KW	效 率 %	
1	0.37	2.0	220	6.4	1.12	0.75	0.12	16.1	
2	0.25	9.4	220	5.7	0.99	0.66	0.38	57.7	
3	0.21	11.7	220	5.6	0.98	0.66	0.40	61.0	
4	0.20	12.0	220	5.5	0.97	0.65	0.39	60.4	
5	0.18	12.7	220	5.4	0.94	0.63	0.37	59.2	
6	0.00	18.0	220	4.2	0.76	0.51	0.00	0.0	



修附電機股份有限公司
SHOWFOU ELECTRIC MACHINE CO., LTD.

廠長	課長	品管主管	品管員
邱萬成	李進川	李進川	許鏡壞
95.9.1	95.9.1	95.9.1	95.9.1

修附電機股份有限公司
SHOWFOU ELECTRIC MACHINE CO., LTD.

高雄市岡山區(82059)本工路66號
No. 66, Bengong Road, Gangshan District,
Kaohsiung City 82059, Taiwan
Tel No.: (07) 6226590
Fax No.: +886-7-6226593
e-mail: showfou@ms11.hinet.net
http ://www.showfoupump.com



代理商
AGENT

All specifications subject to change without notice.