

PL • PL-F TYPE SELF-PRIMING CHEMICAL PUMPS

PL Type (FRPP)



PL-F Type (PVDF)

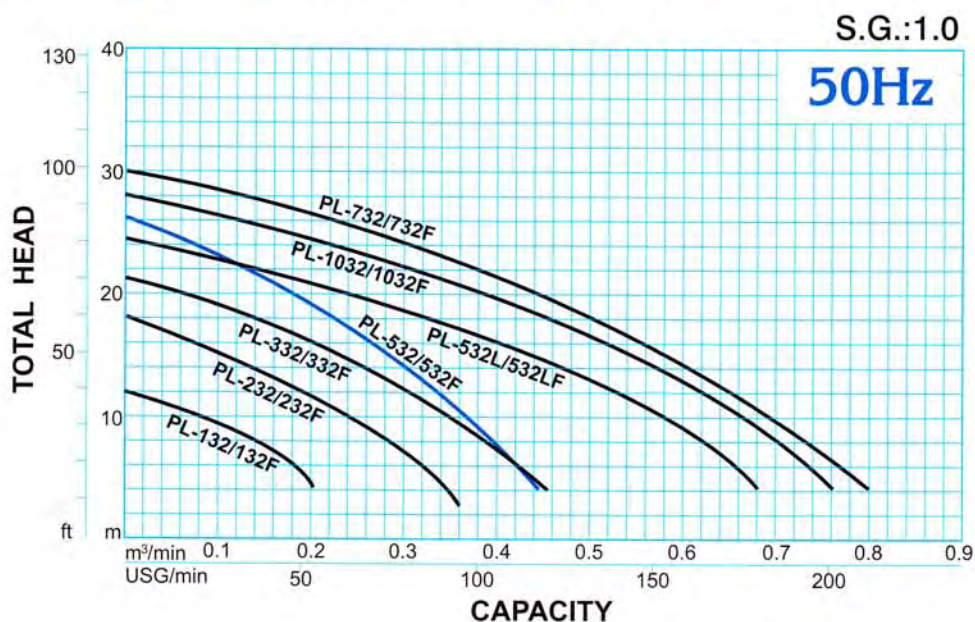


PL • PL-F Type SPECIFICATIONS (Without motor)

Hz	Type		Motor			Pump				※ Weight	Height	Pump Dia	
	FRPP	PVDF	S.G	Power	Phase	Volt	Bore size		Max. Head				Max. Flow
	PL	PL-F		KW(HP)	PH	V	Inlet inch(mm)	Outlet inch(mm)	m				m ³ /min
50	PL-132	PL-132F	1.0	0.75(1)	3	220~480	1 1/2"(40)	1 1/2"(40)	12	0.20	44	413	1140
	PL-232	PL-232F	1.0	1.5(2)	3	220~480	1 1/2"(40)	1 1/2"(40)	18	0.36	44	413	1140
	PL-332	PL-332F	1.0	2.2(3)	3	220~480	2"(50)	2"(50)	21	0.44	45	413	1140
	PL-532	PL-532F	1.0	3.7(5)	3	220~480	2"(50)	2"(50)	26	0.44	48	413	1140
	PL-532L	PL-532LF	1.0	3.7(5)	3	220~480	3"(80)	3"(80)	24	0.68	49	413	1140
	PL-732	PL-732F	1.0	5.5(7 1/2)	3	220~480	3"(80)	3"(80)	28	0.75	53	413	1140
	PL-1032	PL-1032F	1.0	7.5(10)	3	220~480	3"(80)	3"(80)	30	0.80	53	413	1140
60	PL-132	PL-132F	1.0	0.75(1)	3	220~480	1 1/2"(40)	1 1/2"(40)	10	0.19	44	413	1140
	PL-232	PL-232F	1.0	1.5(2)	3	220~480	1 1/2"(40)	1 1/2"(40)	20	0.38	44	413	1140
	PL-332	PL-332F	1.0	2.2(3)	3	220~480	2"(50)	2"(50)	24	0.48	45	413	1140
	PL-532	PL-532F	1.0	3.7(5)	3	220~480	2"(50)	2"(50)	28	0.6	48	413	1140
	PL-532L	PL-532LF	1.0	3.7(5)	3	220~480	3"(80)	3"(80)	28	0.68	49	413	1140
	PL-732	PL-732F	1.0	5.5(7 1/2)	3	220~480	3"(80)	3"(80)	35	0.73	53	413	1140
	PL-1032	PL-1032F	1.0	7.5(10)	3	220~480	3"(80)	3"(80)	40	0.92	53	413	1140

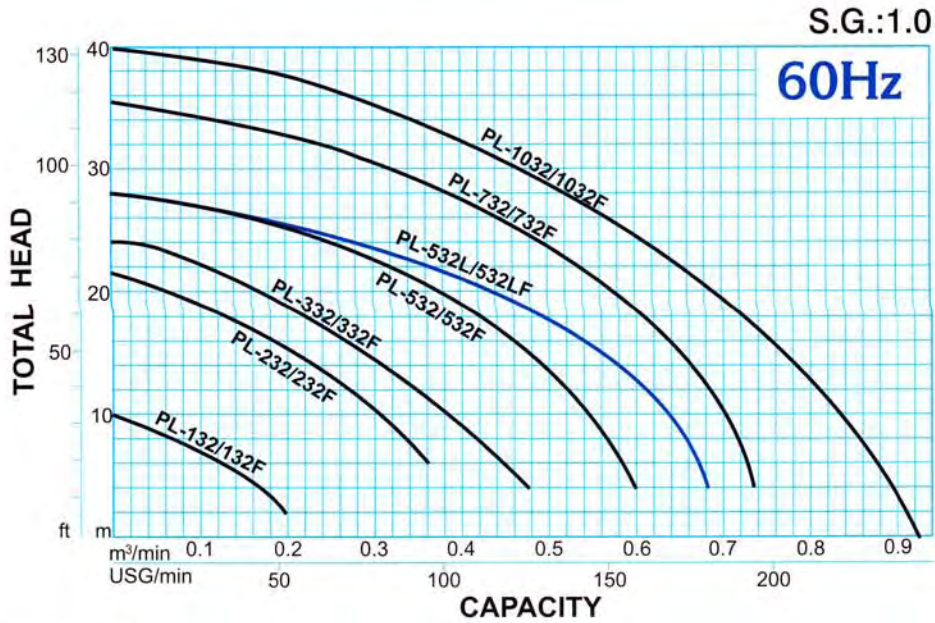
※The weight of motor are not included.

PL • PL-F Type PERFORMANCE CURVE



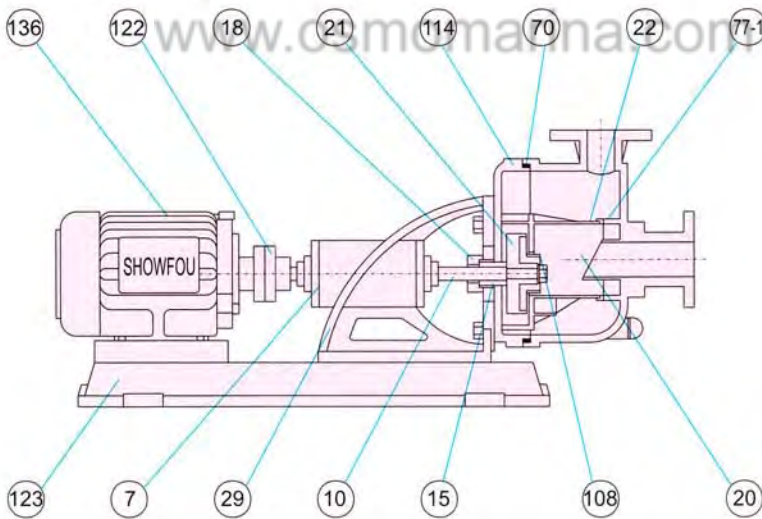
STRUCTURE DIMENSIONS

● PL • PL-F Type PERFORMANCE CURVE



● STRUCTURE

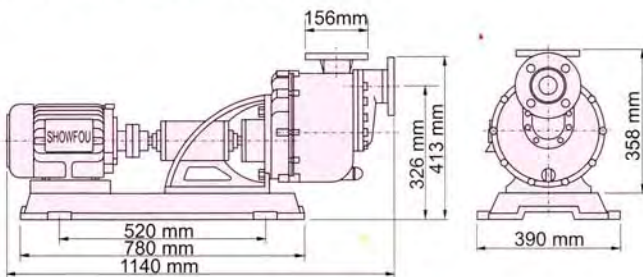
PL • PL-F Type



No.	Name	Material		Q'TY
		PL	PL-F	
7	Bearing			2
10	Shaft	SUS304 + TEFLON		1
15	Mechanical seal	(TEFLON) Ceramic+Carbon	(TEFLON) SiC+SiC	1
18	Seal cover	FRPP	PVDF	1
20	Pump casing	FRPP	PVDF	1
21	Impeller	FRPP	PVDF	1
22	Suction cover	FRPP	PVDF	1
29	Pump bracket	Cast iron		1
70	O-Ring	EPDM	VITON	1
77	Racking	EPDM	VITON	1
77-1	Flap valve	EPDM	VITON	1
108	Nut	FRPP	PVDF	1
114	Pump lower cover	FRPP	PVDF	1
122	Coupling	FC + Rubber		2
123	Base	Cast iron Casing		1
136	Motor	Cast iron Casing		1

● DIMENSIONS

PL-132/232/332/532
PL-132F/232F/332F/532F



PL-532L/732L/1032L
PL-532LF/732F/1032F

