

**APP - KENJI**

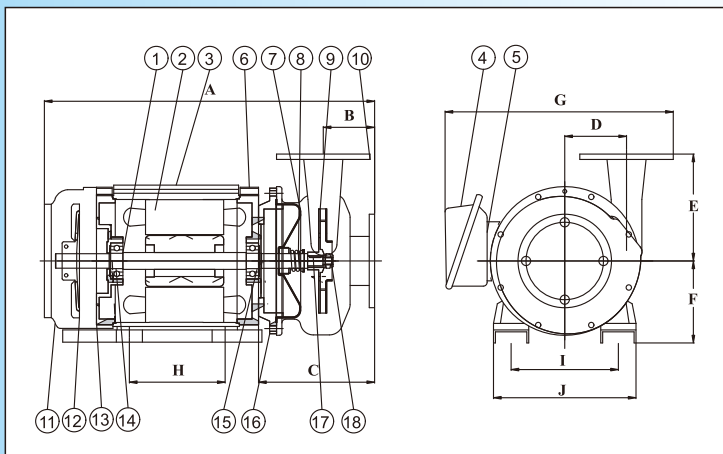
**SVC**

# Stainless steel Centrifugal Pump (Large Volume)



Stainless steel Impeller

## Construction



## Part list

No.	Description	Material	Q'ty
1	Rotor & shaft	SUS 410	1
2	Stator		1
3	Stator Housing	FC-20	1
4	Terminal Box (upper)	Steel	1
5	Terminal Box (lower)	Steel	1
6	Front Endshield	FC-20	1
7	Mid Plate	SUS 304	1
8	Mechanical Seal	CE/CA	1
9	Impeller	SUS 304	1
10	Pump Housing	SUS 304	1
11	Fan Cover	Steel	1
12	Fan	Nlyon 66	1
13	Endshield	FC-20	1
14	Bearing		1
15	Bearing		1
16	Connect Plate	FC-20	1
17	Key 4*4*15L	SUS 410	1
18	Nut M10*1.5	SUS 410	1

## Specifications

TYPE	POWER		DISCHARGE		PHASE	RATED		MAXIMUM		WEIGHT KG
	HP	KW	INCH	mm		Head(M)	Q(LPM)	Head(M)	Q(LPM)	
40SVC-100	1	0.75	1-1/2	40	1&3	10	124	13.5	235	17
50SVC-200	2	1.5	2	50	1&3	15.5	200	21	360	29
80SVC-300-3	3	2.2	3	80	3	15.5	509	22.5	900	39
80SVC-500-3	5	3.7	3	80	3	18	618	25	1120	49

## Performance curve

