



EBARA

Quality System
Quality
Endorsed
Company

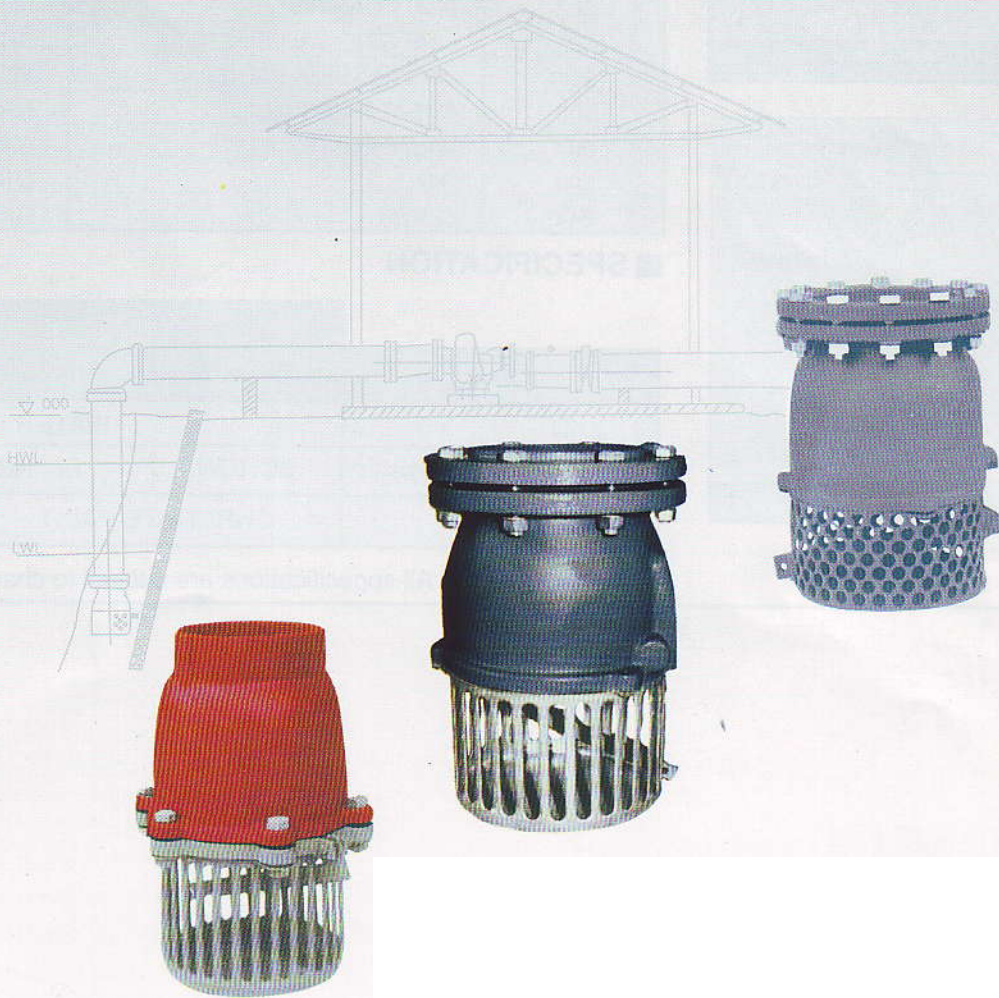
ISO 9001 : 2000
Lic no: OEC22090



FV 8001

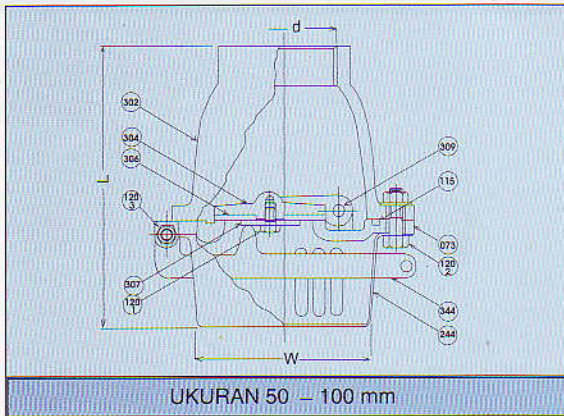
FOOT VALVE

MODEL : MOTO

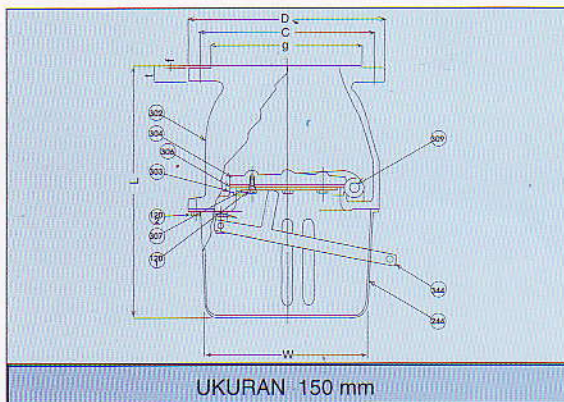


DIMENSION, MATERIAL AND SPECIFICATION

DIMENSION

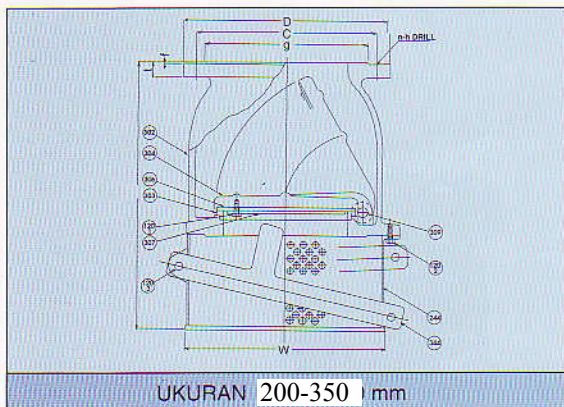


TYPE	SIZE (mm)	DIMENSION								WEIGHT (kg)
		L	W	d	D	c	g	T	F	
MOTO - 50	50	152	95	PT 2						3
MOTO - 80	80	239	126	PT 3						6
MOTO - 100	100	294	152	PT 4						9
MOTO - 150	150	351	227		280	240	215	22	2	33
MOTO - 200	200	430	320		330	290	265	24	2	52
MOTO - 250	250	500	380		400	355	325	26	2	78
MOTO - 300	300	600	444		445	400	370	28	2	98
MOTO - 350	350	770	540		490	445	415	34	3	139



MATERIAL

NO.	PART NAME	MATERIAL
073	VALVE SEAT	FC
115	PACKING	NR
120/1	BOLT	SS 400
120/2	BOLT AND NUT BODY	SS 400
120/3	BOLT AND NUT LEVER	SS 400
244	STRAINER	CARBON STEEL
302	BODY/CASING	FC
303	LINE RING VALVE SEAT	BRONZE
304	VALVE/CHECK VALVE	FC
306	SHEAT PACKING	NR
307	VALVE PLATE	CARBON STEEL
309	PIN	STAINLESS STEEL
344	LEVER	CARBON STEEL



SPECIFICATION

SIZE	STANDARD		
	50 - 100	150 - 200	250 - 400
LIQUID	WATER		
CONNECTION TYPE	SCREW	FLANGE JIS 10 kg	
PAINTING	CHROMATE PAINT		EPOXY PAINT

All specifications are subject to change without notice