



T D

50Hz/60Hz
In-line circulation pump



Nanfang Pump Industry Co.,Ltd.

CNP Headquarter
Address: Renhe Town, Hangzhou, China
Post code: 311107
Tel: +86 571 86051667,86390516,86390517
Fax:+86 571 86051696
E-mail: info@nanfang-pump.com
<http://www.cnppump.com>

E150311
subject to amendments



Company Profile



Founded in 1991, Nanfang Pump Industry Co., Ltd. (hereinafter referred to as CNP) has been listed on the Shenzhen Stock Exchange on 9th December 2010; Stock name: CNP; Stock code: 300145.

As the first enterprise specializing in the research and large-scale production of stainless steel stamping welded centrifugal pump in China, CNP is currently the professional manufacturer with the highest volume of production and marketing in that industry. It ranks first in the country in terms of product scope, sales volume, and production quality. The company has set up a complete network of marketing services to meet the requirements of overseas markets as well as domestic needs. The products have seen a wide range of application in the area of pressurization, industry, living water, cycling of air-conditioning water, heat supply, fire extinguishing system, pumping of underground water, treatment of sewage and waste water, chemical industry and desalination of sea water etc.

CNP has now entered into the fast track of development and has taken a major step forward in forging China Strong Pump Enterprise and World's famous brand in the Pump Industry. In order to better meet the client's needs and requirements for expansion, it has set up a wide network of selling and service, as well as offices and service centers in major cities in China, which are aimed at providing timely and effective services for our clients. Meanwhile, our company has successfully penetrated into the world market by forging a good business relationship with more than 50 countries and regions in the Europe, Northern American, and Southeast Asia etc.

Content

General Data

Introduction	3
Definition of Model	3
Curves conditions	3
Performance scope	4
Product range	5
Min. Inlet pressure NPSH	10
Applications	11
Installation requirements	11
Product structure and component material	12
Appendix-Base plate	15

Technical Data

TD32,50Hz	17
TD40,50Hz	19
TD50,50Hz	21
TD65,50Hz	25
TD80,50Hz	29
TD100,50Hz	33
TD125,50Hz	35
TD150,50Hz	37
TD200,50Hz	39
TD250,50Hz	43
TD300,50Hz	47
TD32,60Hz	49
TD40,60Hz	51
TD50,60Hz	53
TD65,60Hz	55
TD80,60Hz	57
TD100,60Hz	59
TD125,60Hz	61
TD150,60Hz	63
TD200,60Hz	65
TD250,60Hz	67
TD300,60Hz	69

● Introduction

The type TD pumps are single stage in-line centrifugal pumps, equipped with standard motor and mechanical seal. Comparing with other pumps in similar structure, these pumps are less accessible to the impurity in the liquid.

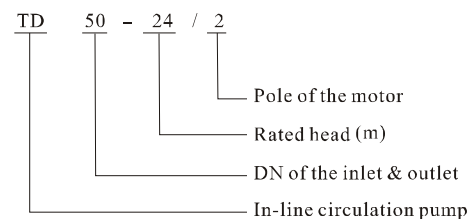
The pump is designed to be pulled out from the top when disassemble. It can be repaired without affecting the pipelines.

The mechanical seal for TD200 and above is cartridge mechanical seal. Motor needn't to be disassembled when replace mechanical seal.

TD125~TD150 products have two structures, one is easy maintenance structure, using a cartridge mechanical seal. And another is expansion shaft structure.

● Definition of Model

TD50-24/2

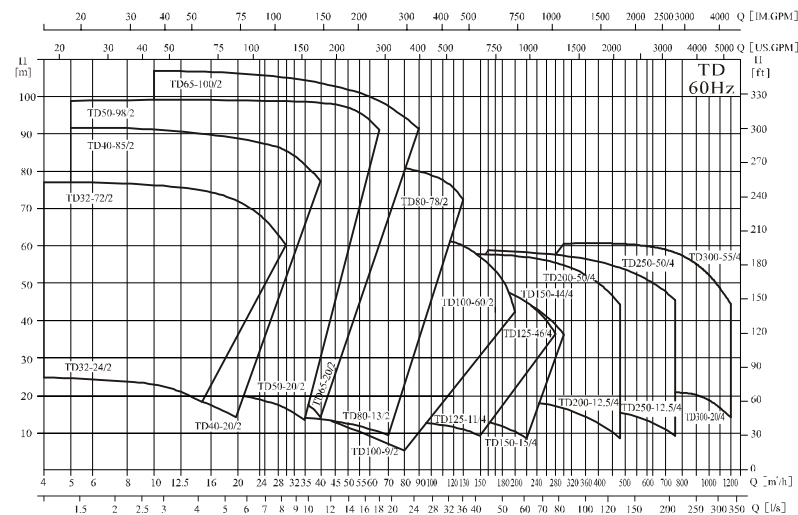
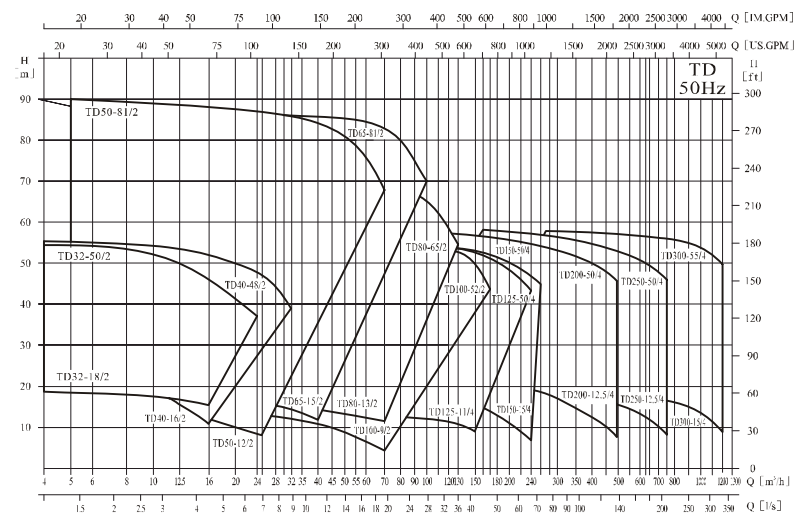


● Curve conditions

Following conditions are suitable for the performance curves shown above.

- 1、 All curves are based on the measured value of motor 3×380V, 50Hz: under the constant speed of 2900rpm, 1450rpm or 1480rpm; 60Hz: under the constant speed of 3500rpm or 1750rpm;
- 2、 Curve tolerance in conformity with ISO9906 Annex A.
- 3、 Measurement is done with 20°C air-free water, without impurities.
- 4、 The operation of pump shall refer to the performance region indicated by the thickened curve to prevent overheating due to too small flow rate or overload of motor due to too large flow rate.
- 5、 If the thickness and density of the pumped liquid is different from water, the motor power should be adjusted.

● Performance scope



● Product range

table 1 50Hz

NO.	Model	Q (m ³ /h)	H (m)	n (r/min)	Standard voltage (V)	
					1×220V	3×380V
					P ₂ (kW)	P ₂ (kW)
1	TD32-18/2	8	18	2900	1.1	1.1
2	TD32-21/2	12.5	21		1.5	1.5
3	TD32-25/2	12.5	25		2.2	2.2
4	TD32-32/2	12.5	32			3
5	TD32-38/2	12.5	38			4
6	TD32-50/2	12.5	50			5.5
7	TD40-16/2	12.5	16		1.1	1.1
8	TD40-20/2	12.5	20		1.5	1.5
9	TD40-18/2	20	18		2.2	2.2
10	TD40-25/2	20	25			3
11	TD40-30/2	25	30			4
12	TD40-36/2	25	36			5.5
13	TD40-48/2	25	48			7.5
14	TD50-32/2	12.5	32			3
15	TD50-38/2	12.5	38			4
16	TD50-48/2	12.5	48			5.5
17	TD50-58/2	12.5	58			7.5
18	TD50-80/2	12.5	80			11
19	TD50-12/2	16	12		1.1	1.1
20	TD50-15/2	20	15		1.5	1.5
21	TD50-18/2	25	18		2.2	2.2
22	TD50-24/2	25	24			3
23	TD50-28/2	30	28			4
24	TD50-35/2	30	35			5.5
25	TD50-40/2	35	40			7.5
26	TD50-50/2	40	50			11
27	TD50-60/2	50	60			15
28	TD50-70/2	50	70			18.5
29	TD50-81/2	50	81			22
30	TD65-36/2	25	36			5.5
31	TD65-48/2	25	48			7.5
32	TD65-15/2	30	15		2.2	2.2
33	TD65-19/2	30	19			3
34	TD65-22/2	40	22			4
35	TD65-30/2	40	30			5.5
36	TD65-34/2	50	34			7.5
37	TD65-40/2	50	40			11
38	TD65-50/2	50	50			15
39	TD65-61/2	50	61			18.5
40	TD65-67/2	50	67			22
41	TD65-83/2	50	83			30

● Product range

table I (continued) 50Hz

NO.	Model	Q (m ³ /h)	H (m)	n (r/min)	Standard voltage (V)		
					1×220V	3×380V	
					P ₂ (kW)	P ₂ (kW)	
42	TD80-13/2	50	13	2900		3	
43	TD80-18/2	50	18				4
44	TD80-22/2	50	22				5.5
45	TD80-28/2	50	28				7.5
46	TD80-40/2	50	40				11
47	TD80-48/2	50	48				15
48	TD80-30/2	80	30				11
49	TD80-38/2	80	38				15
50	TD80-47/2	80	47				18.5
51	TD80-54/2	80	54				22
52	TD80-67/2	80	67				30
53	TD100-9/2	50	9			2.2	2.2
54	TD100-15/2	60	15				4
55	TD100-17/2	80	17				5.5
56	TD100-22/2	80	22				7.5
57	TD100-27/2	100	27				11
58	TD100-33/2	100	33				15
59	TD100-40/2	100	40			18.5	
60	TD100-48/2	100	48			22	
61	TD100-52/2	130	52			30	
62	TD125-11/4	120	11	1450		5.5	
63	TD125-14/4	120	14				7.5
64	TD125-18/4*	160	18				11
65	TD125-22/4*	160	22				15
66	TD125-28/4*	160	28				18.5
67	TD125-32/4*	160	32				22
68	TD125-40/4*	160	40				30
69	TD125-48/4*	160	48				37
70	TD150-12.5/4*	200	12.5				11
71	TD150-17/4*	200	17				15
72	TD150-21/4*	200	21	1480		18.5	
73	TD150-25/4*	200	25				22
74	TD150-33/4*	200	33				30
75	TD150-40/4*	200	40				37
76	TD150-50/4*	200	50				45
77	TD200-15/4	300	15				18.5
78	TD200-18/4	300	18				22
79	TD200-24/4	300	24				30
80	TD200-30/4	300	30				37
81	TD200-35/4	300	35				45
82	TD200-44/4	300	44				55
83	TD200-53/4	300	53			75	

● Product range

table 1 (continued)

50Hz

NO.	Model	Q (m ³ /h)	H (m)	n (r/min)	Standard voltage (V)	
					1×220V	3×380V
					P ₂ (kW)	P ₂ (kW)
84	TD200-12.5/4	400	12.5	1480		22
85	TD200-20/4	400	20			30
86	TD200-23/4	400	23			37
87	TD200-27/4	400	27			45
88	TD200-32/4	400	32			55
89	TD200-43/4	400	43			75
90	TD200-50/4	400	50			90
91	TD250-15/4	500	15			30
92	TD250-18/4	500	18			37
93	TD250-21/4	500	21			45
94	TD250-27/4	500	27			55
95	TD250-36/4	500	36			75
96	TD250-44/4	500	44			90
97	TD250-53/4	500	53			110
98	TD250-12.5/4	630	12.5			30
99	TD250-14/4	630	14			37
100	TD250-17/4	630	17			45
101	TD250-20/4	630	20			55
102	TD250-26/4	630	26			75
103	TD250-32/4	630	32			90
104	TD250-40/4	630	40			110
105	TD250-50/4	630	50			132
106	TD300-15/4	900	15			55
107	TD300-20/4	900	20			75
108	TD300-25/4	900	25			90
109	TD300-30/4	900	30			110
110	TD300-35/4	900	35			132
111	TD300-44/4	900	44			160
112	TD300-55/4	900	55			200

Type with “*” has two structures for selection, one is lengthening shaft type and the other is easy maintenance type.

● Product range

table 2

60Hz

NO.	Model	Q (m ³ /h)	H (m)	n (r/min)	Standard voltage (V)	
					1×220V	3×380V
					P ₂ (kW)	P ₂ (kW)
1	TD32-24/2	7	24	3500	1.5	1.5
2	TD32-27/2	10	27		2.2	2.2
3	TD32-30/2	15	30			3
4	TD32-38/2	15	38			4
5	TD32-46/2	15	46			5.5
6	TD32-57/2	20	57			7.5
7	TD32-72/2	20	72			11
8	TD40-20/2	12	20		1.5	1.5
9	TD40-24/2	15	24		2.2	2.2
10	TD40-28/2	15	28			3
11	TD40-32/2	20	32			4
12	TD40-35/2	25	35			5.5
13	TD40-42/2	25	42			7.5
14	TD40-65/2	25	65			11
15	TD40-76/2	25	76			15
16	TD40-85/2	30	85			18.5
17	TD50-20/2	20	20		2.2	2.2
18	TD50-27/2	20	27			3
19	TD50-34/2	20	34			4
20	TD50-40/2	20	40			5.5
21	TD50-42/2	30	42			7.5
22	TD50-51/2	35	51			11
23	TD50-62/2	45	62			15
24	TD50-72/2	45	72			18.5
25	TD50-84/2	45	84			22
26	TD50-98/2	50	98			30
27	TD65-20/2	30	20			3
28	TD65-25/2	30	25			4
29	TD65-32/2	30	32			5.5
30	TD65-38/2	35	38			7.5
31	TD65-46/2	35	46		11	
32	TD65-55/2	35	55		15	
33	TD65-60/2	50	60		18.5	
34	TD65-73/2	50	73		22	
35	TD65-85/2	60	85		30	
36	TD65-100/2	60	100		37	
37	TD80-12/2	50	12		3	
38	TD80-17/2	50	17		4	
39	TD80-20/2	60	20		5.5	
40	TD80-26/2	60	26		7.5	
41	TD80-30/2	80	30		11	
42	TD80-38/2	80	38		15	
43	TD80-47/2	80	47		18.5	

● Product range

table 2 (continued)

60Hz

NO.	Model	Q (m³/h)	H (m)	n (r/min)	Standard voltage (V)	
					1×220V	3×380V
					P ₂ (kW)	P ₂ (kW)
44	TD80-52/2	80	52	3500		22
45	TD80-70/2	80	70		30	
46	TD80-81/2	80	81		37	
47	TD100-11/2	50	11		3	
48	TD100-15/2	60	15		4	
49	TD100-17/2	80	17		5.5	
50	TD100-22/2	80	22		7.5	
51	TD100-25/2	100	25		11	
52	TD100-32/2	100	32		15	
53	TD100-34/2	120	34		18.5	
54	TD100-38/2	120	38		22	
55	TD100-52/2	130	52		30	
56	TD100-60/2	130	60		37	
57	TD125-11/4	120	11		5.5	
58	TD125-14/4	120	14		7.5	
59	TD125-20/4	120	20		11	
60	TD125-24/4	120	24		15	
61	TD125-28/4	140	28		18.5	
62	TD125-32/4	150	32		22	
63	TD125-38/4	150	38		30	
64	TD125-40/4	180	40	37		
65	TD125-46/4	180	46	45		
66	TD150-15/4	160	15	11		
67	TD150-18/4	180	18	15		
68	TD150-20/4	200	20	18.5		
69	TD150-24/4	200	24	22		
70	TD150-32/4	200	32	30		
71	TD150-36/4	200	36	37		
72	TD150-44/4	200	44	45		
73	TD200-12.5/4	400	12.5	22		
74	TD200-20/4	400	20	30		
75	TD200-23/4	400	23	37		
76	TD200-27/4	400	27	45		
77	TD200-32/4	400	32	55		
78	TD200-43/4	400	43	75		
79	TD200-50/4	400	50	90		
80	TD250-14/4	630	14	37		
81	TD250-17/4	630	17	45		
82	TD250-20/4	630	20	55		
83	TD250-26/4	630	26	75		
84	TD250-32/4	630	32	90		
85	TD250-40/4	630	40	110		
86	TD250-50/4	630	50	132		

● Product range

table 2 (continued)

60Hz

NO.	Model	Q (m³/h)	H (m)	n (r/min)	Standard voltage (V)	
					1×220V	3×380V
					P ₂ (kW)	P ₂ (kW)
87	TD300-20/4	900	20	1750		75
88	TD300-25/4	900	25		90	
89	TD300-30/4	900	30		110	
90	TD300-35/4	900	35		132	
91	TD300-44/4	900	44		160	
92	TD300-55/4	900	55		200	

● Minimum inlet pressure NPSH

In case that the pressure in pump is lower than the steam pressure used to convey liquid, the cavitations will occur. To avoid cavitations, a minimum pressure at the inlet side of the pump shall be guaranteed. The maximum suction can be calculated with following formula:

$$H = P_b \times 10.2 - NPSH - H_f - H_v - H_s$$

H—Maximum suction head (m)

P_b—Atmosphere pressure (bar)

In a closed system, P_b means system pressure(bar)

NPSH—Net positive suction head (m)

It can be read from the point of Max. flow rate shown on NPSH curve.

H_f—Pipeline loss at the inlet (m)

It is in accordance with pipeline possible Max. flow.

H_v—Steam pressure (m)

It depends on liquid temperature and steam pressure value.

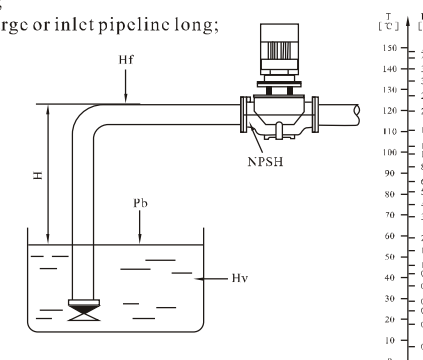
H_s—Safety margin (m)

Minimum 0.5m delivery head.

If the calculated result H is negative, the pump may run under the Max. suction head H. In case the calculated result H is negative, a delivery head of Min. inlet pressure is necessary.

Note: Normally, the above calculation will not be done. H is calculated in the following conditions:

- 1、The liquid temperature is comparatively higher;
- 2、Liquid flow exceeds rated value;
- 3、Suction head is comparatively large or inlet pipeline long;
- 4、System pressure is too low;
- 5、Bad inlet condition.



● Applications

The pumped liquid is clean, thin, non-corrosive, non-flammable, and non-explosive liquid which shall not contain any solid grain and fibre that might damage the pump mechanically or chemically.

The detailed requirements on the liquid is in Table 3. If the liquid viscosity or density is beyond the required level, the performance curves will descend and energy consumption will be increased.

Liquid temperature: $-15^{\circ}\text{C} \sim 110^{\circ}\text{C}$

Max. Working pressure: Normal type: PN12 bar ; special type: PN 16 bar.

table 3

	Liquid	Max. temperature	Liquid requirement	Application
Water	Groundwater	$< 90^{\circ}\text{C}$		TD pumps are applicable for urban water supply, industrial water, cooling system, and cold & hot water for regional heat supply system: 1) main circulation pump 2) mixed circuit pump 3) boiler mixed-flow pump 4) gas-fired freezer pump 5) filter pump 6) constant pressure system pump 7) urban hot water circulation
	Boiler feed water	$< 110^{\circ}\text{C}$		
	District feed water	$< 110^{\circ}\text{C}$		
	Condensate	$< 90^{\circ}\text{C}$		
	Softened water	$-15^{\circ}\text{C} \sim 110^{\circ}\text{C}$		
	Alkalescent water		Weak alkalescence	
	Cooling and cutting lubricant		Additive and little impurity may damage the shaft seal	
Coolants	Hydrocarbon based antifreeze	$< 50^{\circ}\text{C}$	Little rime may damage the shaft seal	TD pumps can be used in chemical industry, pharmaceutical industry, food processing and so on. 1) liquid feeding 2) system pressure boosting 3) mixed circuit circulation pump
	Alcoholised compound	$< 50^{\circ}\text{C}$ 50%		
	30% brine(NaCl, CaCl ₂ solution, etc)	$< 50^{\circ}\text{C}$	Little rime may damage the shaft seal	
Organic solvents	Isopropyl alcohol	$\leq 60^{\circ}\text{C}$	Flammable liquid	
	Propyl alcohol	$\leq 60^{\circ}\text{C}$		
Oxidants	Hydrogen peroxide	$\leq 60^{\circ}\text{C}$ 20%		

● Installation requirements

Some detailed requirement of installation is as below, The concrete request is as following:

1、 If the system pipeline can support the pumps, pumps with 2.2kW motor power(including 2.2kW) can be hung in line; if the system pipeline cannot support the pumps or the pump motor power is higher than 2.2kW, the pumps must be installed in brackets or base.

2、 Pumps with motor power lower than 2.2kW(including 2.2kW) can be installed horizontally or vertically to the pipeline. Pumps with motor power higher than 2.2kW, can only be installed vertically to the pipeline (see 2-A).

3、 The pump installation shall not allow the system pipeline tensile force to be transferred to the pump body.

4、 The pump should be installed in the environment with sufficient cooling and the cooling air shall not be above 40°C .

5、 If the pumps are installed outdoors, there should be covers to protect electric components from water.

6、 For the convenience of maintenance, there should be enough space above and below the pumps. Minimum 300mm shall be kept for pumps with motor power lower than 5.5kW, and minimum 1000mm for pumps with motor power higher than 5.5kW (including 5.5kW). (See 2-B)

7、 To prevent noises and vibration and ensure the best operation, anti-vibration base shall be used in installation. Generally, cement base with the weight equal or bigger than $1.5 \times$ pump weight shall be adopted. (See 2-C).

8、 For TD32 to TD150, pumps with bases or without bases are both available for customers requirements. (See appendix TD32-TD150 for base dimensions).

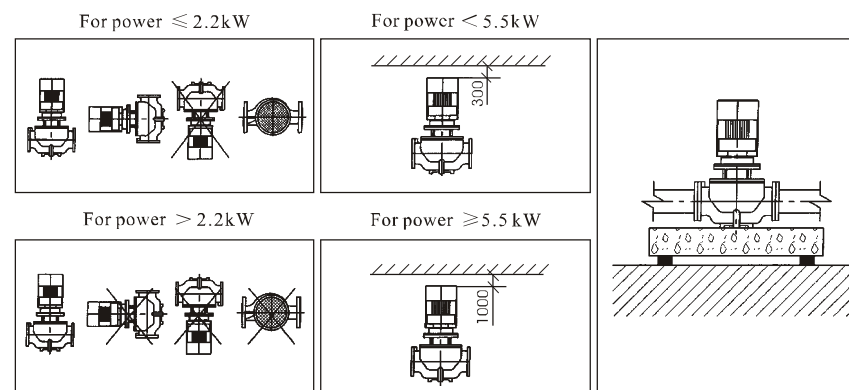


Figure 2-A

Figure 2-B

Figure 2-C

● Product structure and component material

The design of the pump is pump and motor. Pump part can be pulled out. The TD series are equipped with standard motor and mechanical seal. Motor is TEFC standard motor. Its major dimensions are in conformity with JB/T8680 standard.

The pump body is equal to a section of pipeline. While in maintenance, blind flange can be used to seal to pump cover which enable the normal operation of pumps.

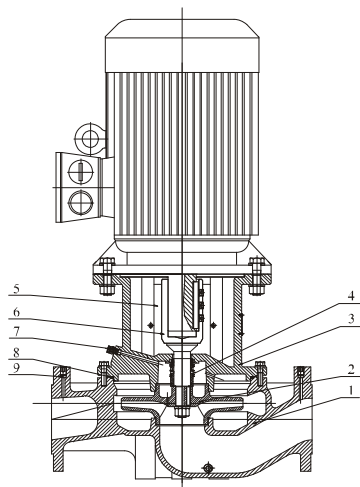
The flange connection dimension are in conformity with the related provisions PN16 in GB/T 17241.6 or ISO7005-2/DIN 2501.

The inlet and outlet diameters are in conformity with related standard dimensions.

The pump head is to connect motor and the pump. "O" ring is used to seal the pump head and the pump.

See Table 4 for component materials.

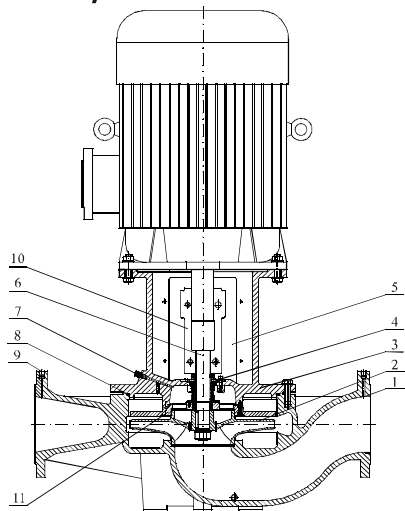
Section drawing TD32 ~ TD150 Extension Shaft



Material TD32~TD150 Extension Shaft

NO.	Parts	Material
1	Pump body	HT200
2	Impeller	HT200/ZG07Cr19Ni9
3	Pump head	HT200
4	Mechanical seal	Carbon /Silicon Carbide
5	Guard plate	06Cr19Ni10
6	Shaft	20Cr13
7	Air release bolt	06Cr19Ni10
8	Ring	NBR
9	Plug	06Cr19Ni10

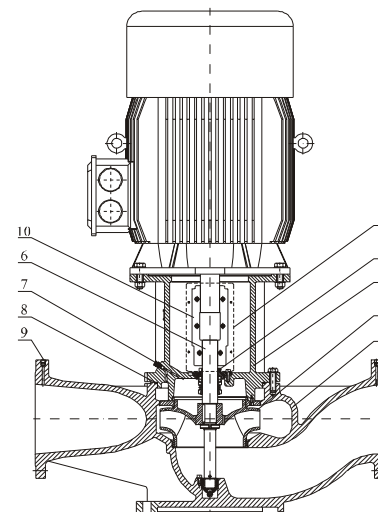
Section drawing TD125 ~ TD150 easy maintenance structure



Material TD125~TD150 easy maintenance structure

NO.	Parts	Material
1	Pump body	HT200
2	Impeller	HT200/ZG07Cr19Ni9
3	Pump head	HT200
4	Mechanical seal	Carbon/Silicon Carbide
5	Guard plate	06Cr19Ni10
6	Shaft	20Cr13
7	Air release valve	06Cr19Ni10
8	O ring	NBR
9	Plug	06Cr19Ni10
10	Coupling	Cast Steel ZG270-500
11	Bearing ring	HT200

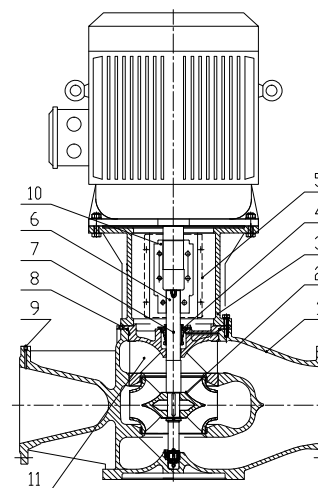
Section drawing TD200 ~ TD250 easy maintenance structure



Material TD200~TD250 easy maintenance structure

NO.	Parts	Material
1	Pump body	HT200
2	Impeller	HT200/ZG07Cr19Ni9
3	Pump head	HT200
4	Mechanical seal	Carbon /Silicon Carbide
5	Guard plate	06Cr19Ni10
6	Shaft	20Cr13
7	Air release valve	06Cr19Ni10
8	O ring	NBR
9	Plug	06Cr19Ni10
10	Coupling	Cast Steel ZG270-500

Section drawing TD 300 easy maintenance structure



Material TD 300 easy maintenance structure

NO.	Parts	Material
1	Pump body	QT 500-7
2	Impeller	HT200
3	Pump head	HT200
4	Mechanical seal	Carbon /Silicon Carbide
5	Guard plate	06Cr19Ni10
6	Shaft	20Cr13
7	Air release valve	06Cr19Ni10
8	O ring	NBR
9	Plug	06Cr19Ni10
10	Coupling	ZG270-500
11	Pump cover	QT 500-7

Appendix-Base plate

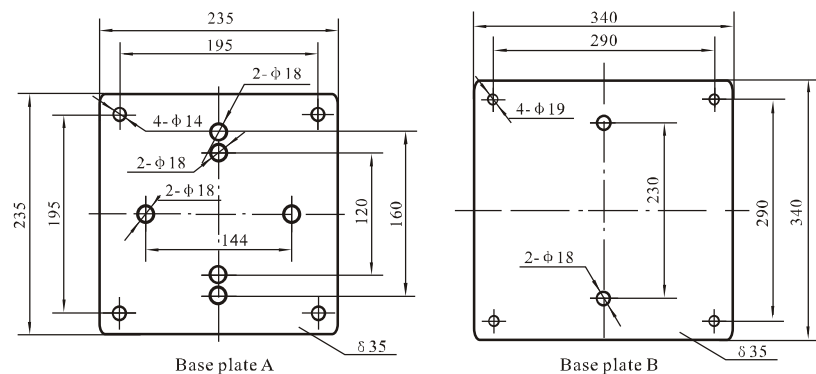


table 4 **50Hz**

NO.	Product model	Base plate type	NO.	Product model	Base plate type	NO.	Product model	Base plate type
1	TD32-18/2	A	27	TD50-60/2	A	53	TD100-9/2	A
2	TD32-21/2	A	28	TD50-70/2	A	54	TD100-15/2	A
3	TD32-25/2	A	29	TD50-81/2	A	55	TD100-17/2	A
4	TD32-32/2	A	30	TD65-36/2	A	56	TD100-22/2	A
5	TD32-38/2	A	31	TD65-48/2	A	57	TD100-27/2	A
6	TD32-50/2	A	32	TD65-15/2	A	58	TD100-33/2	A
7	TD40-16/2	A	33	TD65-19/2	A	59	TD100-40/2	B
8	TD40-20/2	A	34	TD65-22/2	A	60	TD100-48/2	B
9	TD40-18/2	A	35	TD65-30/2	A	61	TD100-52/2	B
10	TD40-25/2	A	36	TD65-34/2	A	62	TD125-11/4	B
11	TD40-30/2	A	37	TD65-40/2	A	63	TD125-14/4	B
12	TD40-36/2	A	38	TD65-50/2	A	64	TD125-18/4	B
13	TD40-48/2	A	39	TD65-61/2	A	65	TD125-22/4	B
14	TD50-32/2	A	40	TD65-67/2	A	66	TD125-28/4	B
15	TD50-38/2	A	41	TD65-83/2	A	67	TD125-32/4	B
16	TD50-48/2	A	42	TD80-13/2	A	68	TD125-40/4	B
17	TD50-58/2	A	43	TD80-18/2	A	69	TD125-48/4	B
18	TD50-80/2	A	44	TD80-22/2	A	70	TD150-12.5/4	B
19	TD50-12/2	A	45	TD80-28/2	A	71	TD150-17/4	B
20	TD50-15/2	A	46	TD80-40/2	A	72	TD150-21/4	B
21	TD50-18/2	A	47	TD80-48/2	A	73	TD150-25/4	B
22	TD50-24/2	A	48	TD80-30/2	A	74	TD150-33/4	B
23	TD50-28/2	A	49	TD80-38/2	A	75	TD150-40/4	B
24	TD50-35/2	A	50	TD80-47/2	A	76	TD150-50/4	B
25	TD50-40/2	A	51	TD80-54/2	A			
26	TD50-50/2	A	52	TD80-67/2	A			

table 5

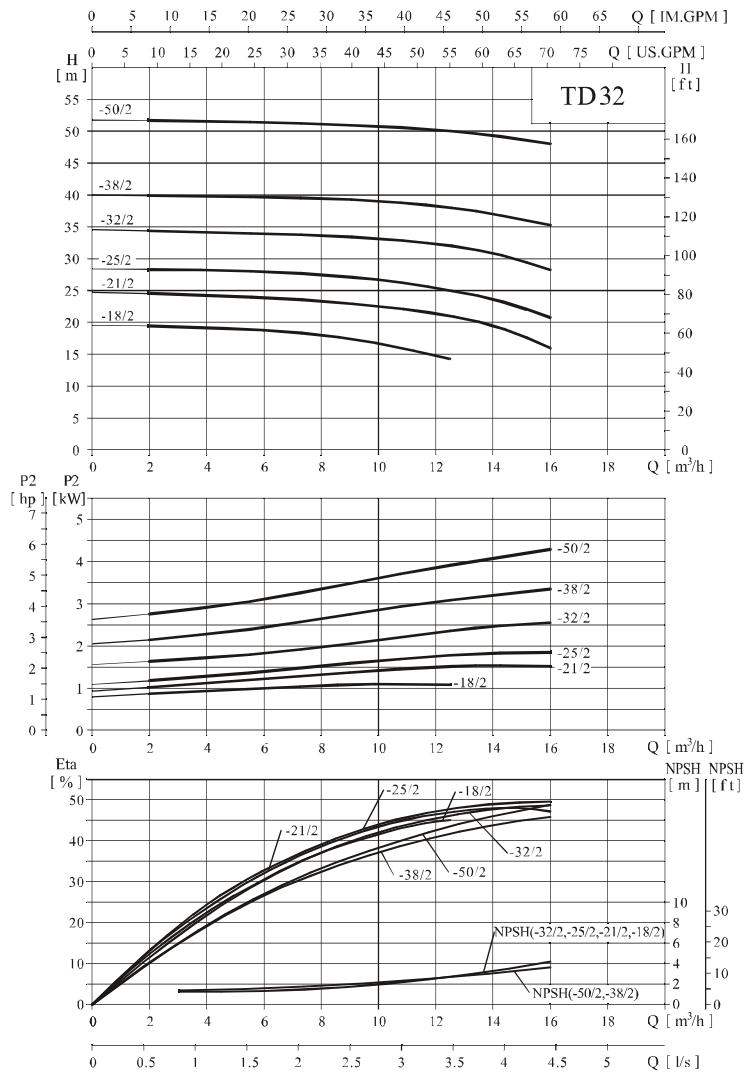
60Hz

NO.	Product model	Base plate type	NO.	Product model	Base plate type	NO.	Product model	Base plate type
1	TD32-24/2	A	25	TD50-84/2	A	49	TD100-17/2	A
2	TD32-27/2	A	26	TD50-98/2	A	50	TD100-22/2	A
3	TD32-30/2	A	27	TD65-20/2	A	51	TD100-25/2	B
4	TD32-38/2	A	28	TD65-25/2	A	52	TD100-32/2	B
5	TD32-46/2	A	29	TD65-32/2	A	53	TD100-34/2	B
6	TD32-57/2	A	30	TD65-38/2	A	54	TD100-38/2	B
7	TD32-72/2	A	31	TD65-46/2	A	55	TD100-52/2	B
8	TD40-20/2	A	32	TD65-55/2	A	56	TD100-60/2	B
9	TD40-24/2	A	33	TD65-60/2	A	57	TD125-11/4	B
10	TD40-28/2	A	34	TD65-73/2	A	58	TD125-14/4	B
11	TD40-32/2	A	35	TD65-85/2	A	59	TD125-20/4	B
12	TD40-35/2	A	36	TD65-100/2	A	60	TD125-24/4	B
13	TD40-42/2	A	37	TD80-12/2	A	61	TD125-28/4	B
14	TD40-65/2	A	38	TD80-17/2	A	62	TD125-32/4	B
15	TD40-76/2	A	39	TD80-20/2	A	63	TD125-38/4	B
16	TD40-85/2	A	40	TD80-26/2	A	64	TD125-40/4	B
17	TD50-20/2	A	41	TD80-30/2	A	65	TD125-46/4	B
18	TD50-27/2	A	42	TD80-38/2	A	66	TD150-15/4	B
19	TD50-34/2	A	43	TD80-47/2	A	67	TD150-18/4	B
20	TD50-40/2	A	44	TD80-52/2	A	68	TD150-20/4	B
21	TD50-42/2	A	45	TD80-70/2	A	69	TD150-24/4	B
22	TD50-51/2	A	46	TD80-81/2	A	70	TD150-32/4	B
23	TD50-62/2	A	47	TD100-11/2	A	71	TD150-36/4	B
24	TD50-72/2	A	48	TD100-15/2	A	72	TD150-44/4	B

Remark: Base plate is optional part, need to note when order.

● Performance curve

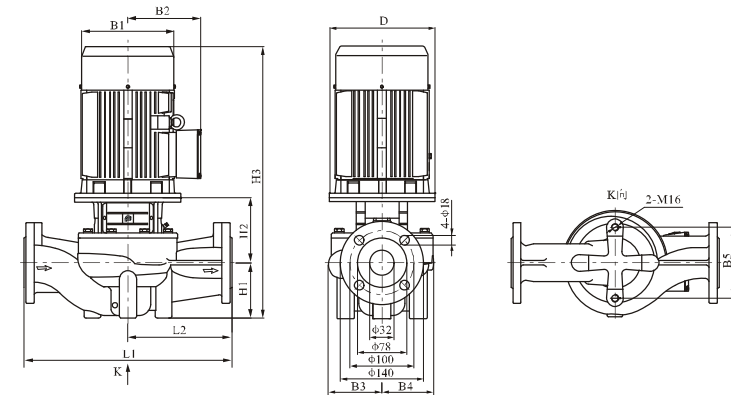
ISO9906 Annex A



● Performance table

Model	Driving motor		Q (m³/h)	2	4	6	8	10	12.5	14	16
	(kW)	(hp)									
TD32-18/2	1.1	1.5	H (m)	19.4	19.1	18.7	18	16.7	14.3		
TD32-21/2	1.5	2		24.5	24.2	23.9	23.3	22.5	21	19.4	15.9
TD32-25/2	2.2	3		28.3	28.2	28	27.5	26.7	25	23.6	20.7
TD32-32/2	3	4		34.3	34.2	33.9	33.6	33.1	32	30.8	28.2
TD32-38/2	4	5.5		39.8	39.8	39.7	39.4	39	38	37	35.2
TD32-50/2	5.5	7.5		51.7	51.6	51.4	51.1	50.7	50	49.3	48

● Installation sketch

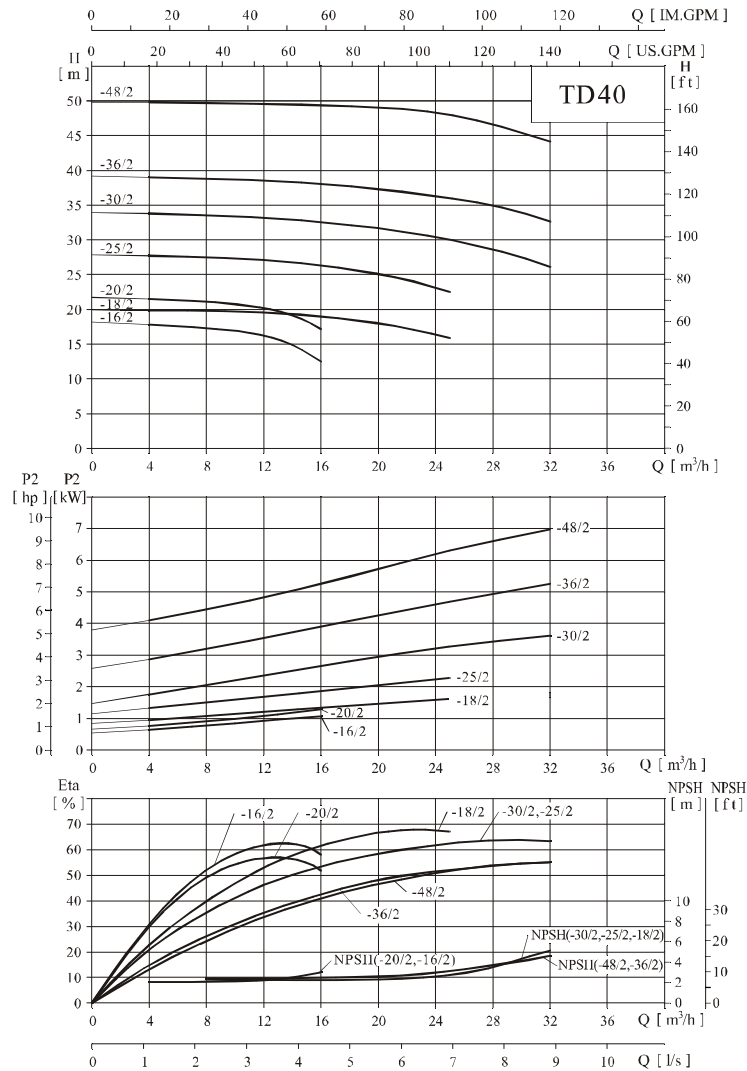


● Size and weight

Model	Size (mm)											Weight (kg)
	D	B1	B2	B3	B4	B5	H1	H2	H3	L1	L2	
TD32-18/2	120	170	142	125	117	144	100	166	511	340	170	50
TD32-21/2	140	190	155	125	117	144	100	166	556	340	170	56
TD32-25/2	140	190	155	125	117	144	100	166	556	340	170	59
TD32-32/2	160	197	165	125	117	144	100	185	630	340	170	68
TD32-38/2	160	230	188	144	144	144	100	185	640	440	220	79
TD32-50/2	200	260	208	144	144	144	100	213	703	440	220	104

● Performance curve

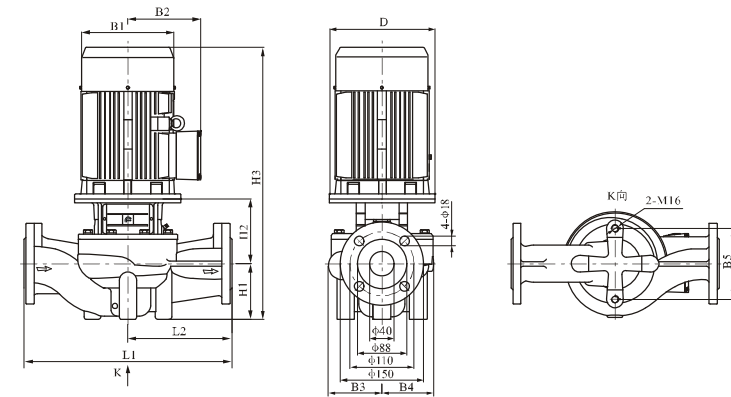
ISO9906 Annex A



● Performance table

Model	Driving motor		Q (m³/h)	4	8	12.5	16	20	25	28	32
	(kW)	(hp)									
TD40-16/2	1.1	1.5	H (m)	17.8	17.3	16	12.5				
TD40-20/2	1.5	2		21.5	21.1	20	17.2				
TD40-18/2	2.2	3		19.9	19.8	19.5	19	18	15.8		
TD40-25/2	3	4		27.7	27.5	27.1	26.4	25	22.5		
TD40-30/2	4	5.5		33.8	33.6	33.1	32.6	31.7	30	28.6	26.1
TD40-36/2	5.5	7.5		39	38.8	38.5	38.1	37.3	36	35	32.6
TD40-48/2	7.5	10		49.8	49.7	49.5	49.4	49	48	46.6	44.2

● Installation sketch

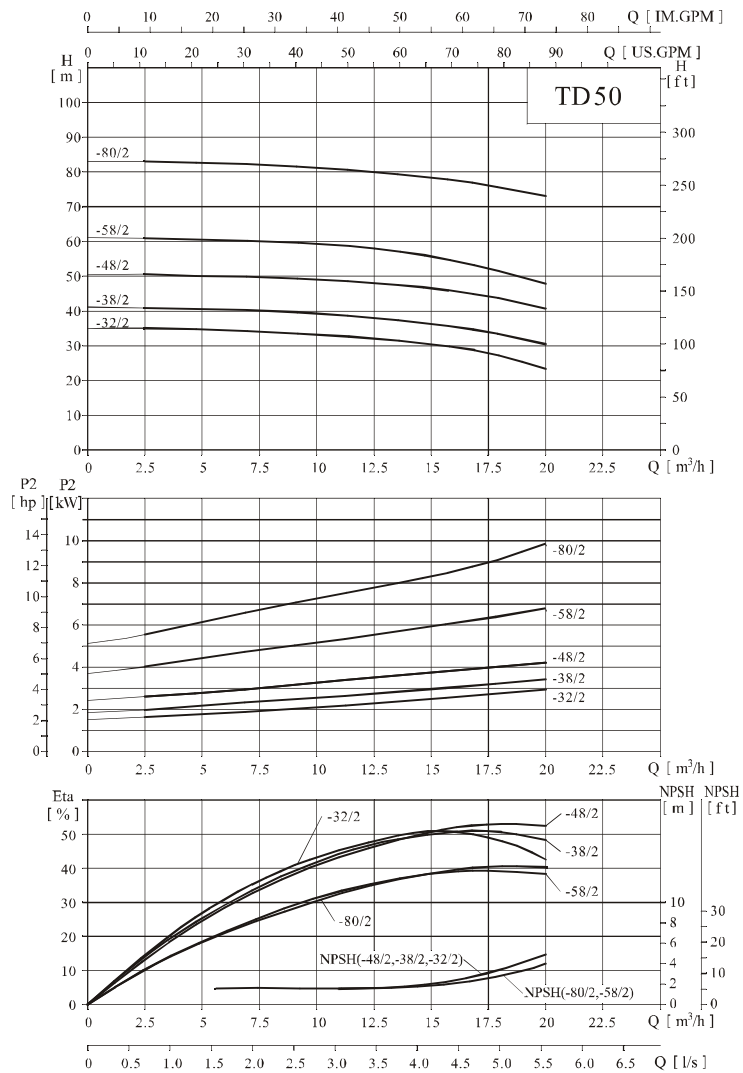


● Size and weight

Model	Size (mm)											Weight (kg)
	D	B1	B2	B3	B4	B5	H1	H2	H3	L1	L2	
TD40-16/2	120	170	142	97	96	120	68	150	463	320	160	40
TD40-20/2	140	190	155	97	96	120	68	160	518	320	160	46
TD40-18/2	140	190	155	110	95	144	100	167	557	340	170	53
TD40-25/2	160	197	165	127	115	144	100	185	630	340	170	70
TD40-30/2	160	230	188	127	115	144	100	185	640	340	170	77
TD40-36/2	200	260	208	138	125	144	110	213	713	440	220	106
TD40-48/2	200	260	208	138	125	144	110	213	713	440	220	110

● Performance curve

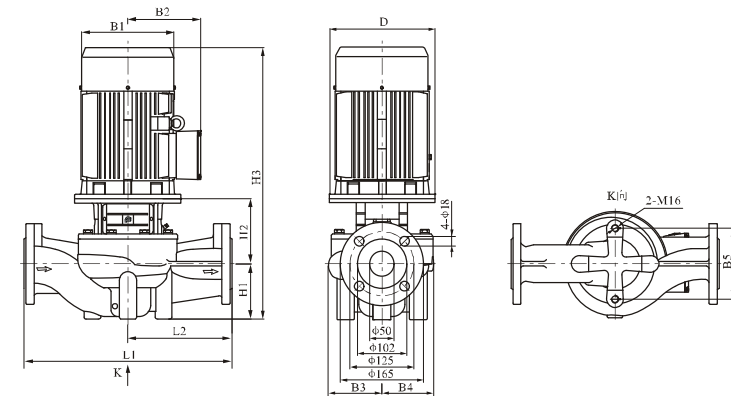
ISO9906 Annex A



● Performance table

Model	Driving motor		Q (m³/h)	2.5	5	7.5	10	12.5	15	17.5	20
	(kW)	(hp)									
TD50-32/2	3	4	H (m)	35	34.6	34	33.2	32	30.5	27.9	23.3
TD50-38/2	4	5.5		40.8	40.6	40.2	39.2	38	36.2	33.9	30.4
TD50-48/2	5.5	7.5		50.5	50	49.7	49	48	46.5	44.2	40.7
TD50-58/2	7.5	10		61	60.6	60.1	59.2	58	55.7	52.2	47.8
TD50-80/2	11	15		82.9	82.6	82.2	81.2	80	78.4	76.1	73

● Installation sketch

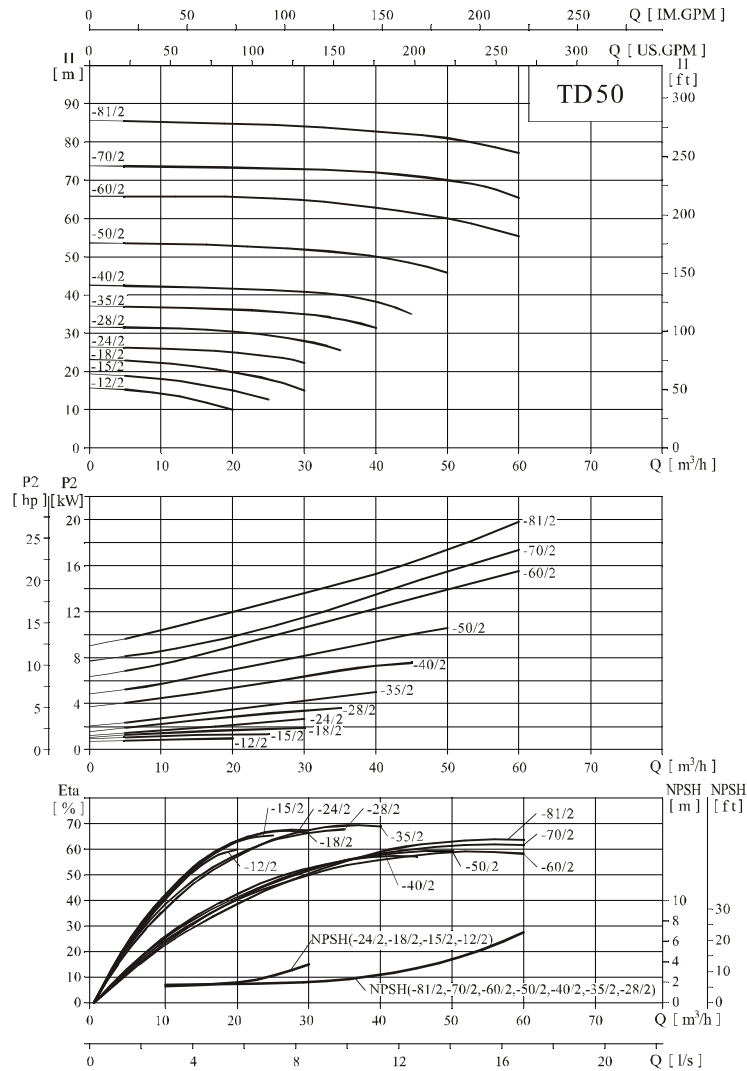


● Size and weight

Model	Size (mm)											Weight (kg)
	D	B1	B2	B3	B4	B5	H1	H2	H3	L1	L2	
TD50-32/2	160	197	165	128	128	144	105	162	612	400	200	65
TD50-38/2	160	230	188	128	128	144	105	162	622	400	200	71
TD50-48/2	200	260	208	128	128	144	105	186	681	400	200	85
TD50-58/2	200	260	208	163	163	144	105	196	692	440	220	110
TD50-80/2	350	330	255	163	163	144	105	196	852	440	220	185

● Performance curve

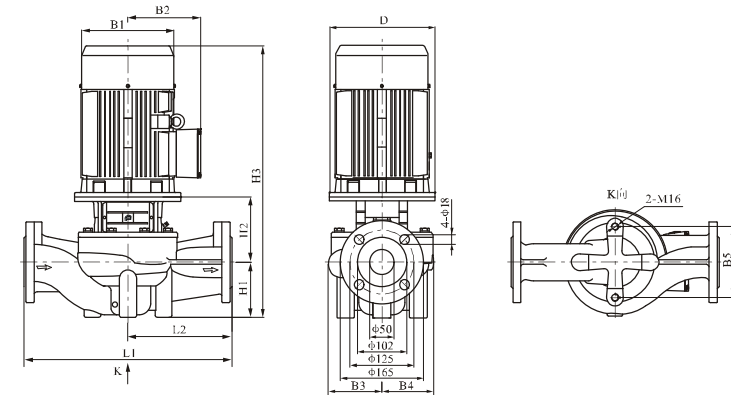
ISO9906 Annex A



● Performance table

Model	Driving motor		Q (m³/h)	H (m)													
	(kW)	(hp)		5	10	16	20	25	30	35	40	45	50	60			
TD50-12/2	1.1	1.5		15.2	14.2	12	10										
TD50-15/2	1.5	2		18.9	18	16.5	15	12.6									
TD50-18/2	2.2	3		22.8	22.3	21	19.8	18	15								
TD50-24/2	3	4		26.2	26	25.5	25	24	22.3								
TD50-28/2	4	5.5		31.5	31.3	31	30.5	29.5	28	25.5							
TD50-35/2	5.5	7.5		36.9	36.7	36.5	36.2	35.8	35	33.7	31.5						
TD50-40/2	7.5	10		42.3	42.2	41.9	41.7	41.3	40.8	40	38.3	35					
TD50-50/2	11	15		53.5	53.4	53.1	52.9	52.5	51.9	51.1	50	48.4	45.8				
TD50-60/2	15	20		65.7	65.8	65.7	65.6	65.3	64.7	63.9	62.8	61.6	60	55.4			
TD50-70/2	18.5	25		73.7	73.6	73.4	73.3	73.1	72.9	72.5	72	71.2	70	65.4			
TD50-81/2	22	30		85.5	85.3	85	84.8	84.5	84	83.5	82.8	82.1	81	77.1			

● Installation sketch

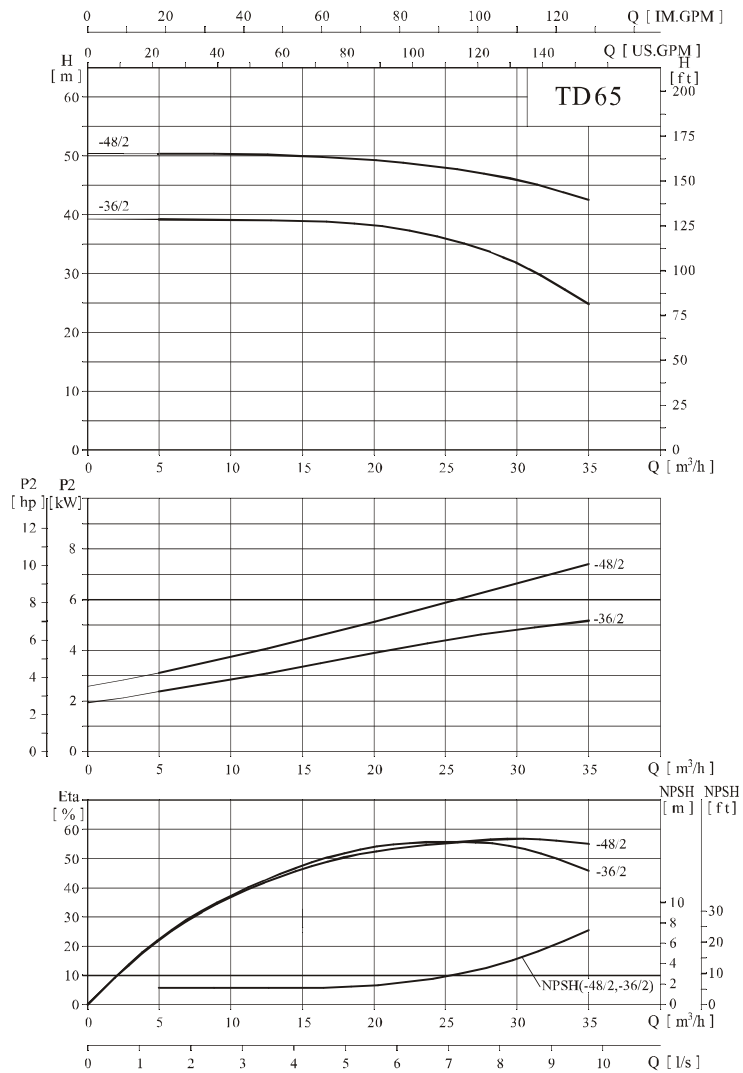


● Size and weight

Model	Size (mm)											Weight (kg)
	D	B1	B2	B3	B4	B5	H1	H2	H3	L1	L2	
TD50-12/2	120	170	142	117	115	144	115	153	513	340	170	56
TD50-15/2	140	190	155	117	115	144	115	153	558	340	170	62
TD50-18/2	140	190	155	117	115	144	115	153	558	340	170	65
TD50-24/2	160	197	165	117	115	144	115	172	632	340	170	74
TD50-28/2	160	230	188	129	115	144	115	175	645	340	170	79
TD50-35/2	200	260	208	129	115	144	115	197	702	340	170	103
TD50-40/2	200	260	208	171	158	144	115	187	692	440	220	118
TD50-50/2	350	330	255	171	158	144	115	250	865	440	220	181
TD50-60/2	350	330	255	171	158	144	115	250	865	440	220	191
TD50-70/2	350	330	255	171	158	144	115	250	915	440	220	209
TD50-81/2	350	360	285	171	158	144	115	250	940	440	220	245

● Performance curve

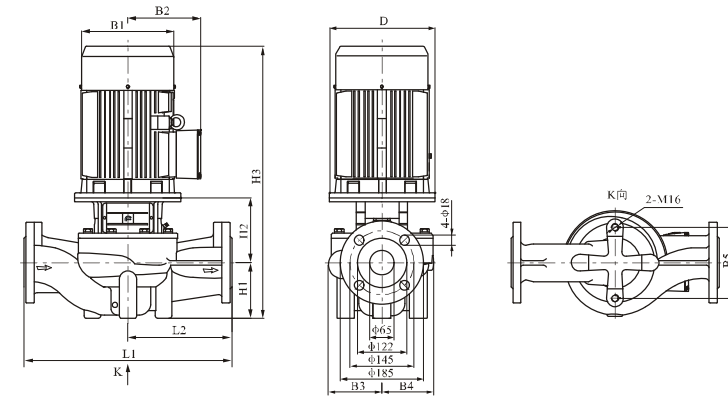
ISO9906 Annex A



● Performance table

Model	Driving motor		Q (m³/h)	5	10	15	20	25	30	35
	(kW)	(hp)								
TD65-36/2	5.5	7.5	H (m)	39.2	39.1	38.9	38.2	36	31.8	24.8
TD65-48/2	7.5	10		50.4	50.3	50	49.3	48	45.9	42.5

● Installation sketch

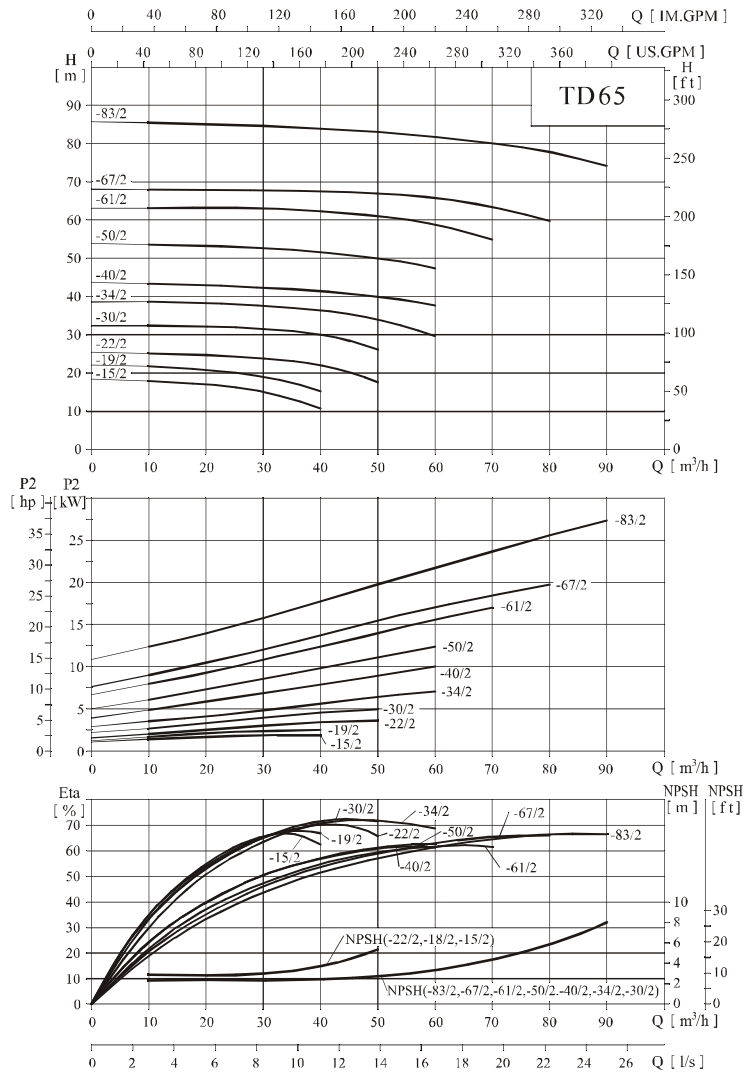


● Size and weight

Model	Size (mm)											Weight (kg)
	D	B1	B2	B3	B4	B5	H1	H2	H3	L1	L2	
TD65-36/2	200	260	208	128	128	144	105	194	689	400	200	87
TD65-48/2	200	260	208	128	128	144	105	194	689	400	200	91

● Performance curve

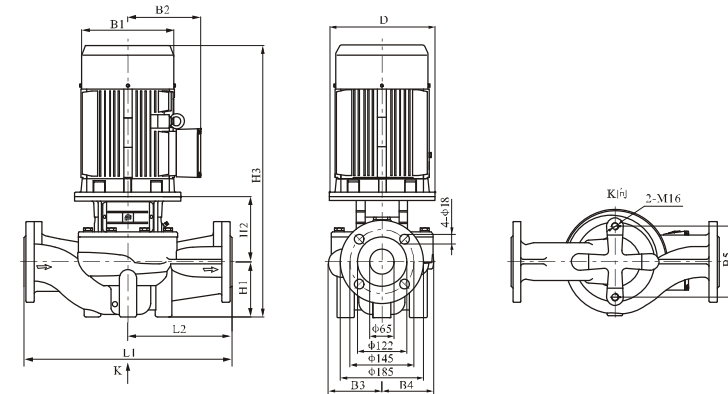
ISO9906 Annex A



● Performance table

Model	Driving motor		Q (m³/h)	H (m)										
	(kW)	(hp)		10	20	30	40	50	60	70	80	90		
TD65-15/2	2.2	3		17.9	17	15	10.7							
TD65-19/2	3	4		21.7	20.8	19	15.2							
TD65-22/2	4	5.5		25.1	24.7	23.9	22	17.5						
TD65-30/2	5.5	7.5		32.4	32.1	31.5	30	26.1						
TD65-34/2	7.5	10		38.6	38.2	37.6	36.4	34	29.6					
TD65-40/2	11	15		43.4	42.9	42.3	41.4	40	37.6					
TD65-50/2	15	20		53.6	53.3	52.7	51.6	50	47.3					
TD65-61/2	18.5	25		63.1	63.2	63	62.3	61	58.8	54.8				
TD65-67/2	22	30		68	67.8	67.7	67.5	67	65.8	63.4	59.7			
TD65-83/2	30	40		85.4	85.1	84.6	83.9	83	81.7	80	77.8	74.2		

● Installation sketch

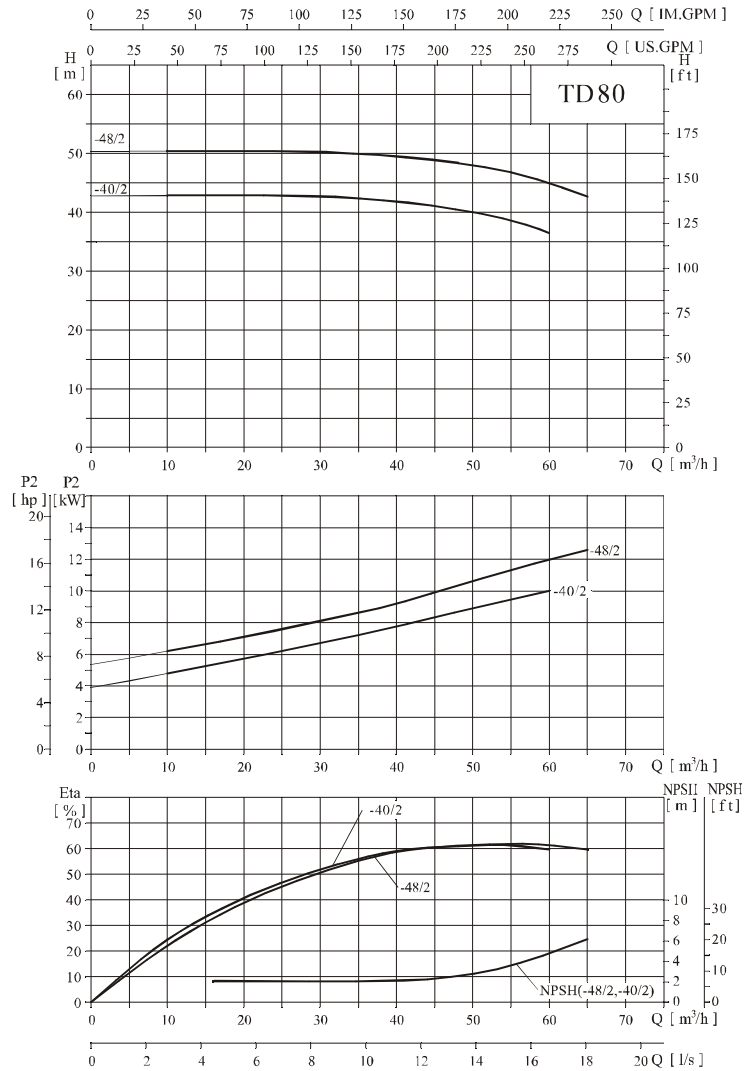


● Size and weight

Model	Size (mm)											Weight (kg)
	D	B1	B2	B3	B4	B5	I11	I12	H3	L1	L2	
TD65-15/2	140	190	155	142	124	144	105	172	567	360	180	65
TD65-19/2	160	197	165	142	124	144	105	191	641	360	180	74
TD65-22/2	160	230	188	142	124	144	105	191	651	360	180	81
TD65-30/2	200	260	208	142	124	144	105	213	708	360	180	105
TD65-34/2	200	260	208	142	124	144	105	213	708	360	180	108
TD65-40/2	350	330	255	179	167	144	125	262	887	475	238	183
TD65-50/2	350	330	255	179	167	144	125	262	887	475	238	193
TD65-61/2	350	330	255	179	167	144	125	262	937	475	238	210
TD65-67/2	350	330	255	179	167	144	125	262	962	475	238	248
TD65-83/2	400	400	310	179	167	144	125	262	1037	475	238	309

Performance curve

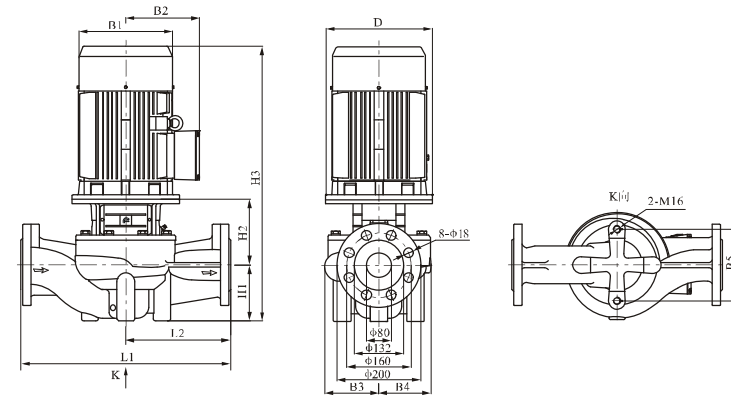
ISO9906 Annex A



Performance table

Model	Driving motor		Q (m³/h)	10	20	30	40	50	60	65
	(kW)	(hp)								
TD80-40/2	11	15	H (m)	42.8	42.8	42.7	41.8	40	36.5	
TD80-48/2	15	20		50.4	50.4	50.2	49.5	48	45	42.6

Installation sketch

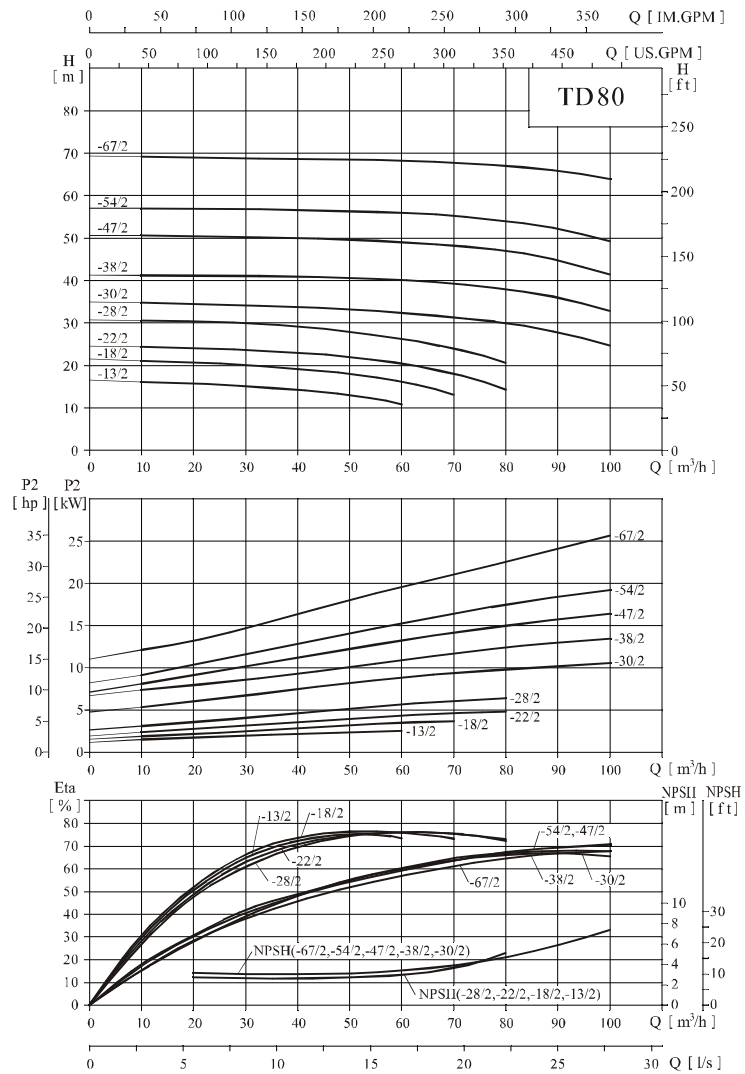


Size and weight

Model	Size (mm)											Weight (kg)
	D	B1	B2	B3	B4	B5	H1	H2	H3	L1	L2	
TD80-40/2	350	330	255	137	128	144	115	240	855	500	250	170
TD80-48/2	350	330	255	137	128	144	115	240	855	500	250	181

● Performance curve

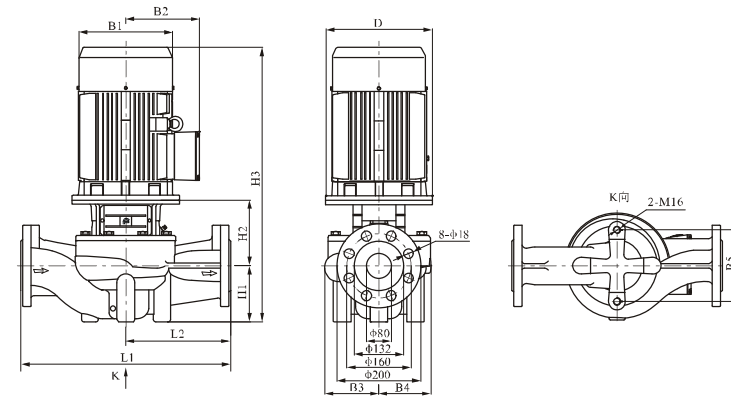
ISO9906 Annex A



● Performance table

Model	Driving motor		Q (m³/h)	H (m)												
	(kW)	(hp)		10	20	30	40	50	60	70	80	90	100			
TD80-13/2	3	4		16.1	15.8	15.2	14.3	13	10.9							
TD80-18/2	4	5.5		21.1	20.8	20.2	19.2	18	16.2	13.2						
TD80-22/2	5.5	7.5		24.4	24.1	23.7	23	22	20.5	18	14.3					
TD80-28/2	7.5	10		30.6	30.4	30	29.3	28	26.3	24	20.6					
TD80-30/2	11	15		34.8	34.5	34.2	33.8	33.2	32.4	31.3	30	27.8	24.7			
TD80-38/2	15	20		41.2	41.2	41.1	40.9	40.6	40.1	39.3	38	36	32.9			
TD80-47/2	18.5	25		50.6	50.4	50	49.8	49.6	49.1	48.3	47	44.8	41.4			
TD80-54/2	22	30		57	57	56.8	56.6	56.3	56	55.3	54	52.2	49.2			
TD80-67/2	30	40		69.2	69	68.8	68.7	68.6	68.3	67.8	67	65.9	63.9			

● Installation sketch

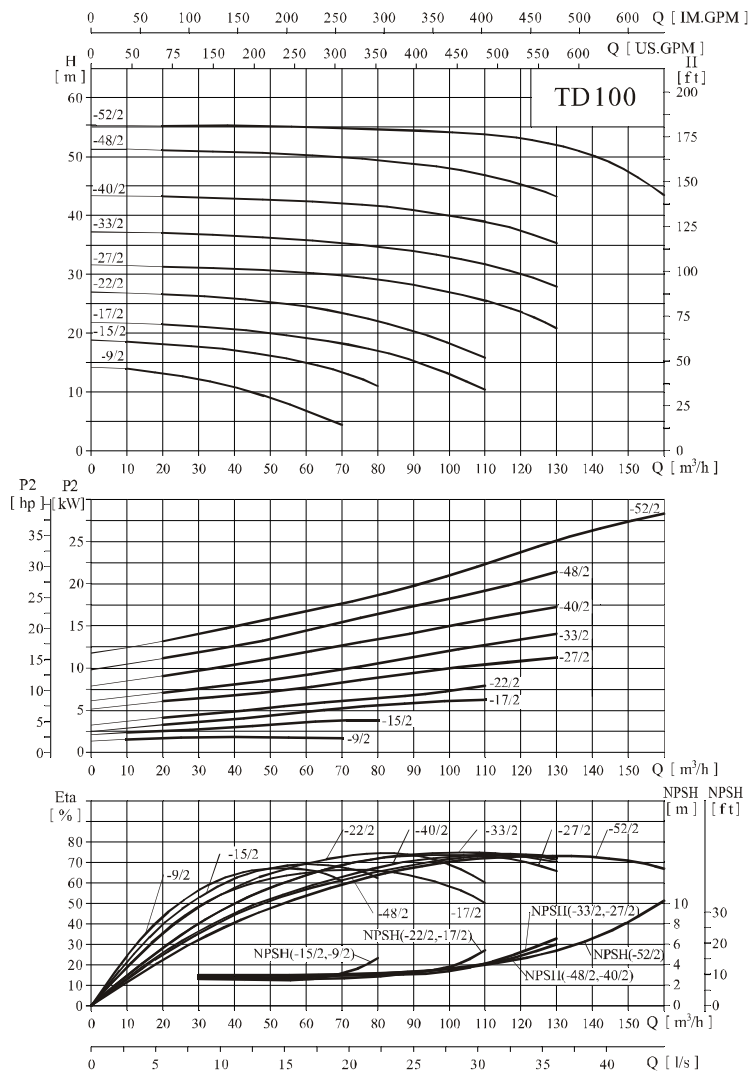


● Size and weight

Model	Size (mm)											Weight (kg)
	D	B1	B2	B3	B4	B5	I11	I12	H3	L1	L2	
TD80-13/2	160	197	165	142	124	160	97	219	661	450	225	84
TD80-18/2	160	230	188	142	124	160	97	219	671	450	225	91
TD80-22/2	200	260	208	142	124	160	97	241	728	450	225	114
TD80-28/2	200	260	208	142	124	160	97	241	728	450	225	117
TD80-30/2	350	330	255	182	163	144	115	279	894	500	250	194
TD80-38/2	350	330	255	182	163	144	115	279	894	500	250	204
TD80-47/2	350	330	255	182	163	144	115	279	944	500	250	222
TD80-54/2	350	330	255	182	163	144	115	279	969	500	250	258
TD80-67/2	400	400	310	182	163	144	115	279	1044	500	250	319

● Performance curve

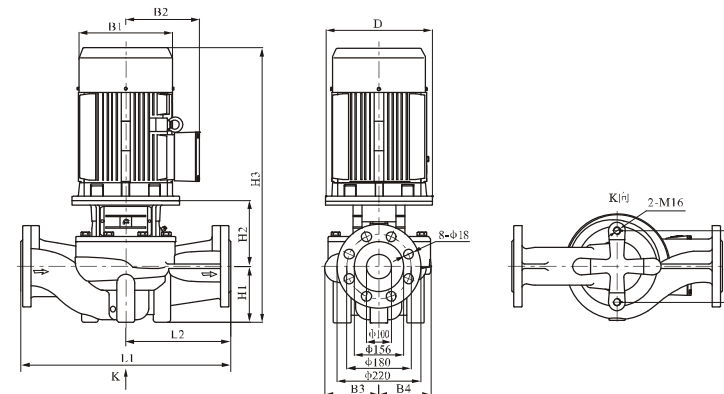
ISO9906 Annex A



● Performance table

Model	Driving motor		Q (m³/h)	H (m)															
	(kW)	(hp)		10	20	30	40	50	60	70	80	90	100	110	120	130	145	160	
TD100-9/2	2.2	3		13.9	13.2	12.2	10.8	9	6.8	4.4									
TD100-15/2	4	5.5		18.6	18.2	17.7	17.1	16.2	15	13.4	11								
TD100-17/2	5.5	7.5		21.7	21.5	21.1	20.7	20	19.2	18.3	17	15.3	13	10.4					
TD100-22/2	7.5	10		26.8	26.6	26.3	25.9	25.3	24.5	23.4	22	20.3	18.2	15.8					
TD100-27/2	11	15		31.5	31.3	31.1	30.9	30.7	30.3	29.8	28.2	27	25.5	23.6	20.8				
TD100-33/2	15	20		37.1	37	36.8	36.6	36.2	35.8	35.3	34.7	33.9	33	31.7	30.1	27.9			
TD100-40/2	18.5	25		43.3	43.2	43.1	42.9	42.7	42.4	42.1	41.6	40.9	40	38.9	37.4	35.3			
TD100-48/2	22	30		51.2	51.1	51	50.8	50.6	50.3	49.9	49.4	48.8	48	46.9	45.3	43.2			
TD100-52/2	30	40		55.3	55.3	55.3	55.3	55.2	55.1	54.8	54.6	54.4	54.2	53.8	53.1	52	49	43.5	

● Installation sketch

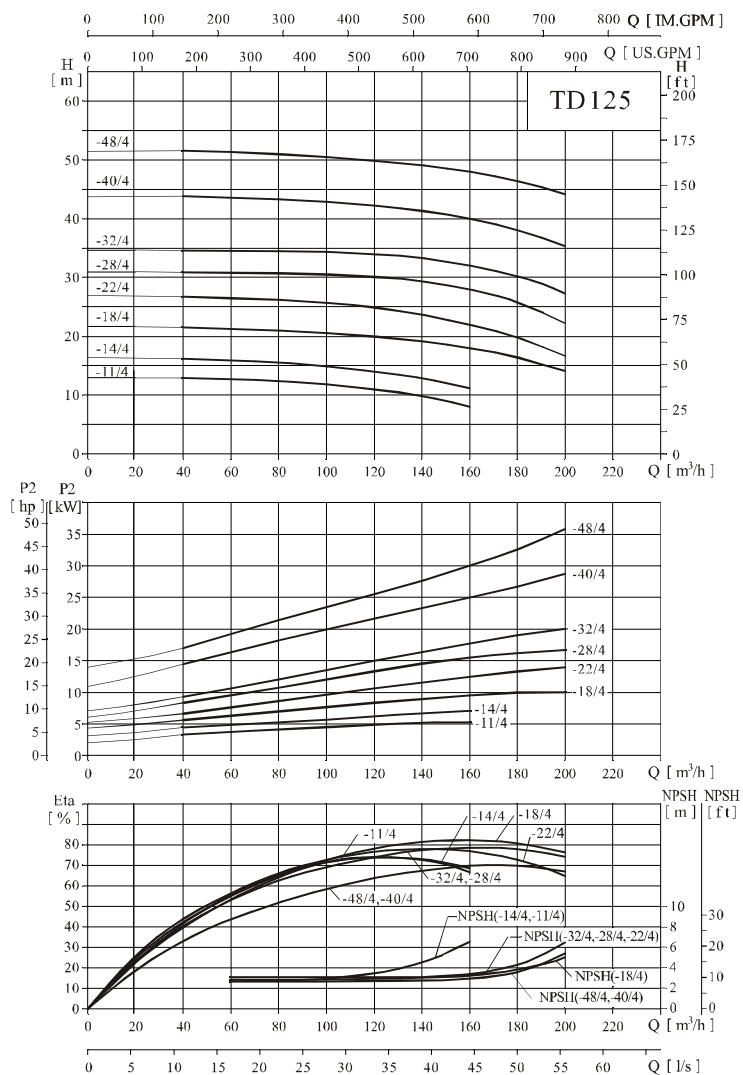


● Size and weight

Model	Size (mm)											Weight (kg)
	D	B1	B2	B3	B4	B5	I11	I12	H3	L1	L2	
TD100-9/2	140	175	155	134	101	160	105	178	573	450	225	65
TD100-15/2	160	215	190	134	101	160	105	190	650	450	225	83
TD100-17/2	200	260	205	150	117	144	140	215	745	500	250	119
TD100-22/2	200	260	205	150	117	144	140	215	745	500	250	122
TD100-27/2	350	350	245	147	123	144	140	260	900	550	275	183
TD100-33/2	350	350	265	147	123	144	140	260	900	550	275	194
TD100-40/2	350	350	265	181	152	230	140	270	960	550	275	224
TD100-48/2	350	350	280	181	152	230	140	270	985	550	275	260
TD100-52/2	400	400	305	181	152	230	140	270	1060	550	275	318

● Performance curve

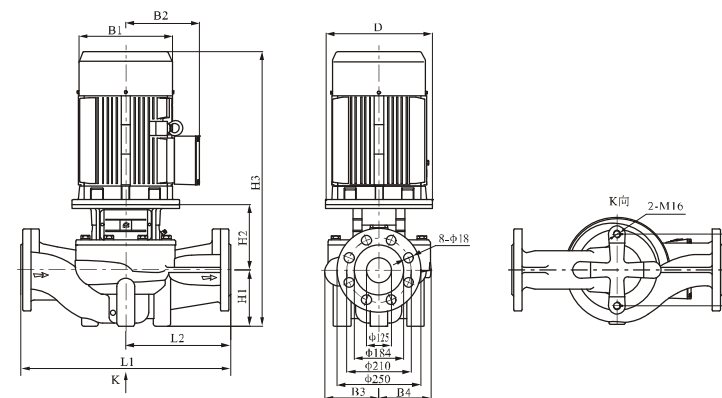
ISO9906 Annex A



● Performance table

Model	Driving motor		Q (m³/h)	40	60	80	100	120	140	160	180	200
	(kW)	(hp)										
TD125-11/4	5.5	7.5	H (m)	12.9	12.7	12.4	11.8	11	9.9	8		
TD125-14/4	7.5	10		16.2	15.9	15.5	14.9	14	12.8	11.2		
TD125-18/4	11	15		21.5	21.3	21	20.6	19.9	19.1	18	16.4	14.1
TD125-22/4	15	20		26.7	26.5	26.2	25.7	24.9	23.7	22	19.8	16.7
TD125-28/4	18.5	25		30.9	30.8	30.7	30.5	30.1	29.3	28	25.8	22.2
TD125-32/4	22	30		34.6	34.6	34.5	34.4	34	33.3	32	30.2	27.3
TD125-40/4	30	40		43.9	43.6	43.3	42.9	42.2	41.3	40	38	35.4
TD125-48/4	37	50		51.5	51.3	51	50.5	49.9	49.1	48	46.4	44.2

● Installation sketch



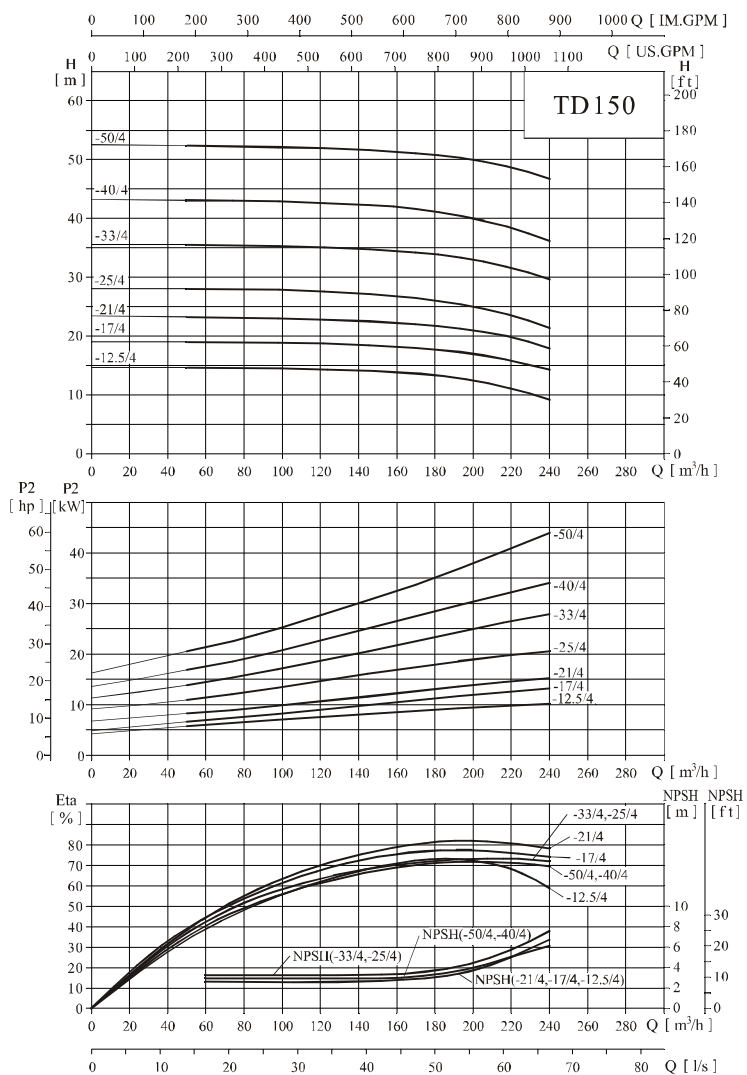
● Size and weight

Model	Size (mm)												Weight (kg)	
	D	B1	B2	B3	B4	B5	H1	H2	H2*	H3	H3*	L1		L2
TD125-11/4	200	260	208	216	176	230	215	228	--	873	--	620	310	166(--)
TD125-14/4	200	260	208	216	176	230	215	228	--	873	--	620	310	169(--)
TD125-18/4	350	330	255	211	177	230	215	276	376	989	1089	800	400	257(265)
TD125-22/4	350	330	255	236	208	230	215	292	395	1047	1150	800	400	302(314)
TD125-28/4	350	330	255	236	208	230	215	292	395	1084	1187	800	400	321(348)
TD125-32/4	350	330	255	236	208	230	215	292	395	1122	1225	800	400	356(362)
TD125-40/4	400	400	310	272	248	230	215	315	411	1179	1275	800	400	442(460)
TD125-48/4	450	450	325	272	248	230	215	315	442	1204	1331	800	400	498(528)

Attention: The size with "*" in the data is Easy-disassembled in-line-pump size.
The weight in the braces is the weight of Easy-disassembled in-line pump.

● Performance curve

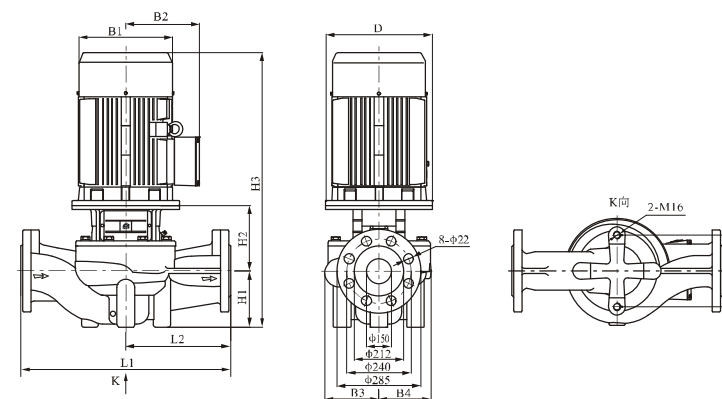
ISO9906 Annex A



● Performance table

Model	Driving motor		Q (m³/h)	H (m)								
	(kW)	(hp)		50	80	110	140	170	200	220	240	
TD150-12.5/4	11	15	H	14.6	14.5	14.4	14.2	13.7	12.5	11.1	9.2	
TD150-17/4	15	20		18.8	18.8	18.7	18.5	18	17	16.1	15	
TD150-21/4	18.5	25		23.3	23.1	22.9	22.6	22	21	19.8	17.9	
TD150-25/4	22	30		28	28	27.8	27.3	26.5	25	23.5	21.3	
TD150-33/4	30	40		35.5	35.4	35.2	34.8	34.2	33	31.5	29.6	
TD150-40/4	37	50		43.1	43	42.8	42.4	41.6	40	38.4	36.2	
TD150-50/4	45	60		52.4	52.4	52	51.7	51.1	50	48.7	46.7	

● Installation sketch



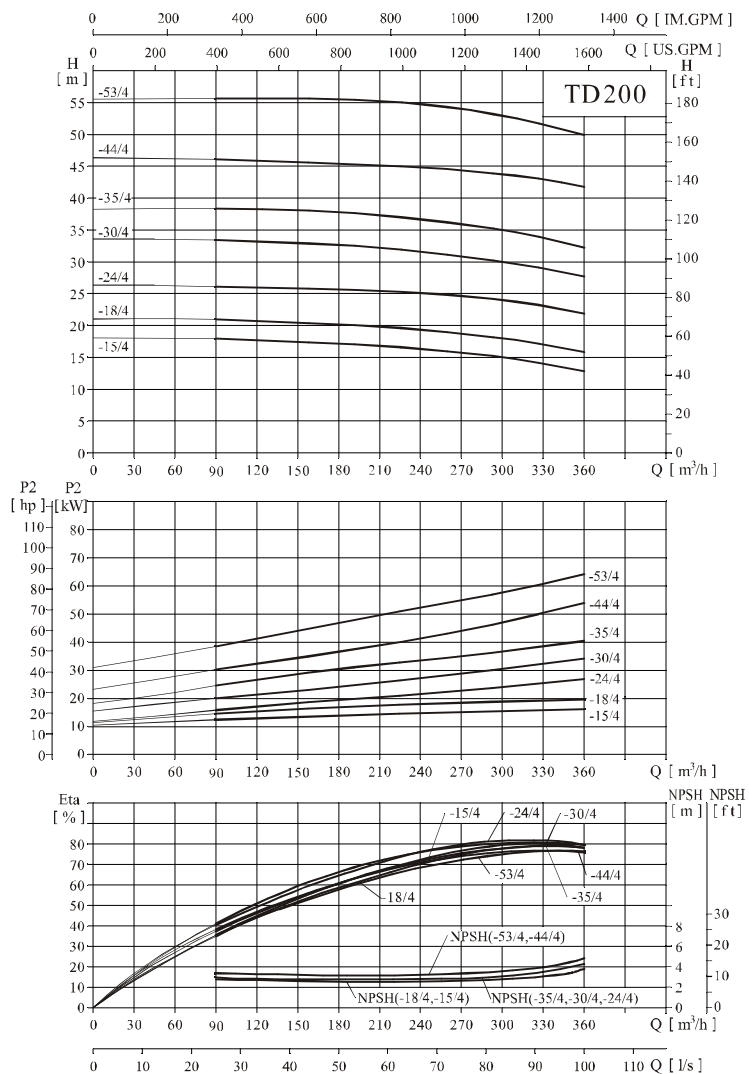
● Size and weight

Model	Size (mm)													Weight (kg)
	D	B1	B2	B3	B4	B5	H1	H2	H2*	H3	H3*	L1	L2	
TD150-12.5/4	350	315	250	217	180	230	215	272	372	985	1085	800	400	257(271)
TD150-17/4	350	315	250	217	180	230	215	272	372	1027	1127	800	400	278(291)
TD150-21/4	350	360	275	217	180	230	215	272	372	1064	1164	800	400	313(325)
TD150-25/4	350	360	275	238	208	230	215	269	372	1099	1202	800	400	354(373)
TD150-33/4	400	400	305	238	208	230	215	269	385	1133	1249	800	400	406(425)
TD150-40/4	450	450	325	267	248	230	230	288	416	1188	1316	900	450	511(537)
TD150-50/4	450	450	325	267	248	230	230	288	416	1215	1343	900	450	548(573)

Attention: The size with "*" in the data is Easy-disassembled inline-pump size; The weight in the braces is the weight of Easy-disassembled in-line pump.

● Performance curve

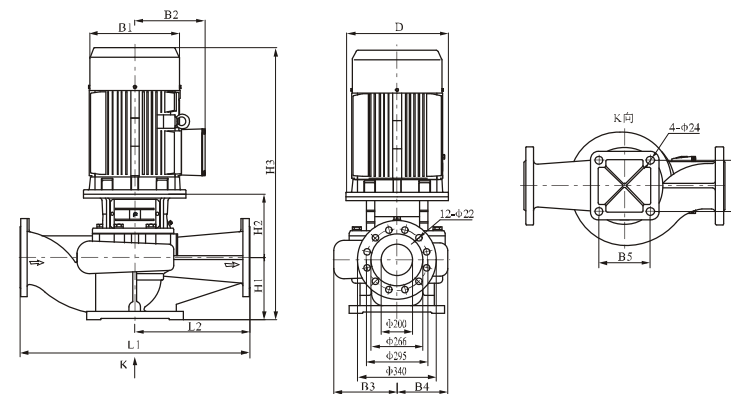
ISO9906 Annex A



● Performance table

Model	Driving motor		Q (m³/h)	H (m)											
	(kW)	(hp)		90	120	150	180	210	240	270	300	330	360		
TD200-15/4	18.5	25		18	17.7	17.5	17.2	16.8	16.4	15.8	15	14.1	12.9		
TD200-18/4	22	30		21	20.7	20.5	20.2	19.8	19.4	18.8	18	17.1	15.8		
TD200-24/4	30	40		26.1	26	25.8	25.7	25.4	25.1	24.6	24	23.1	21.9		
TD200-30/4	37	50		33.4	33.2	33	32.6	32.2	31.6	30.9	30	29	27.7		
TD200-35/4	45	60		38.3	38.3	38.1	37.8	37.3	36.7	35.9	35	33.8	32.2		
TD200-44/4	55	75		46.3	46.1	45.9	45.6	45.4	45	44.6	44	43.1	41.9		
TD200-53/4	75	100		55.7	55.7	55.7	55.5	55.3	54.8	54	53	51.6	50		

● Installation sketch

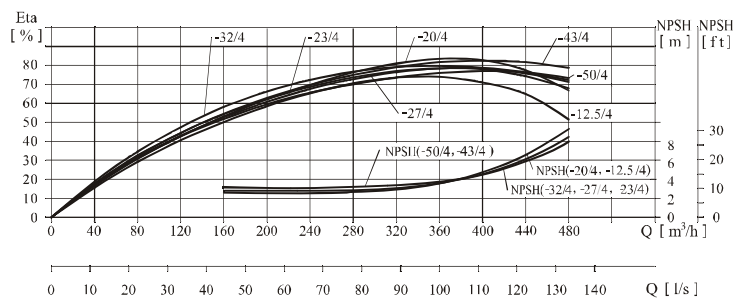
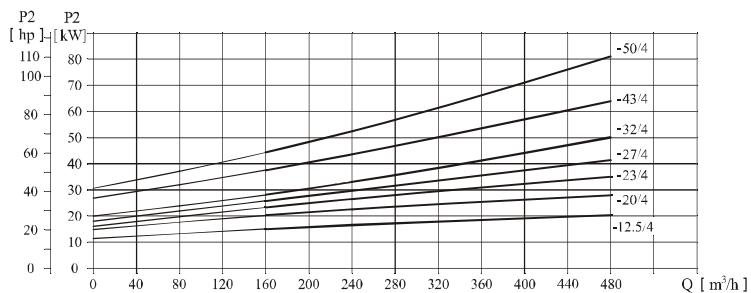
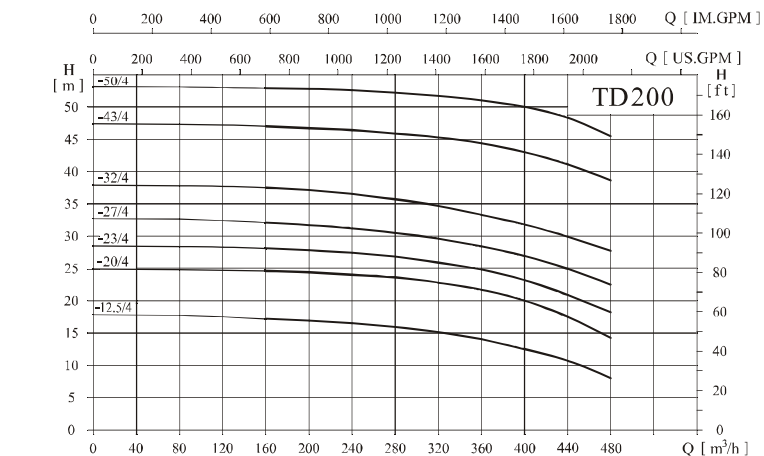


● Size and weight

Model	Size (mm)											Weight (kg)
	D	B1	B2	B3	B4	B5	H1	H2	H3	L1	L2	
TD200-15/4	350	360	280	278	219	360	270	415	1262	1000	500	418
TD200-18/4	350	360	280	278	219	360	270	415	1300	1000	500	435
TD200-24/4	400	400	305	303	252	360	270	415	1334	1100	550	537
TD200-30/4	450	450	335	303	252	360	270	445	1389	1100	550	603
TD200-35/4	450	450	335	303	252	360	270	445	1412	1100	550	649
TD200-44/4	550	490	365	315	269	360	270	457	1500	1100	550	751
TD200-53/4	550	550	400	315	269	360	270	457	1556	1100	550	884

● Performance curve

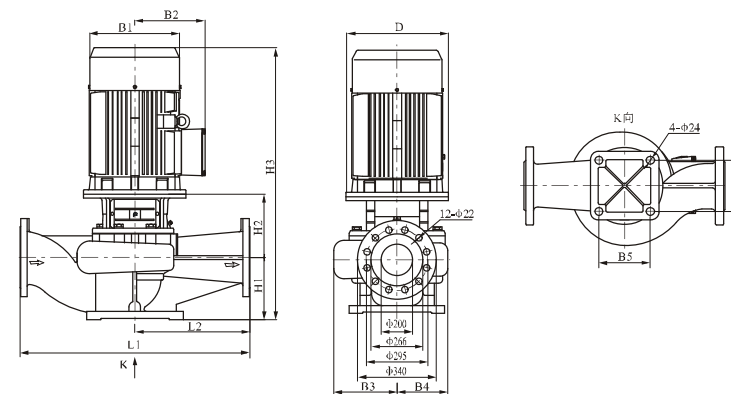
ISO9906 Annex A



● Performance table

Model	Driving motor		Q (m³/h)	160	200	240	280	320	360	400	440	480
	(kW)	(hp)										
TD200-12.5/4	22	30	H (m)	17.2	16.9	16.5	15.9	15.1	14	12.5	10.7	8
TD200-20/4	30	40		24.6	24.4	24	23.6	22.8	21.7	20	17.5	14.2
TD200-23/4	37	50		28.1	27.8	27.4	26.8	25.9	24.8	23	20.9	18.2
TD200-27/4	45	60		32.1	31.7	31.2	30.5	29.6	28.4	27	24.9	22.5
TD200-32/4	55	75		37.5	37.1	36.5	35.7	34.7	33.3	32	29.9	27.7
TD200-43/4	75	100		47	46.7	46.4	45.9	45.3	44.4	43	41.1	38.6
TD200-50/4	90	120		52.9	52.8	52.6	52.2	51.7	51	50	48.3	45.5

● Installation sketch

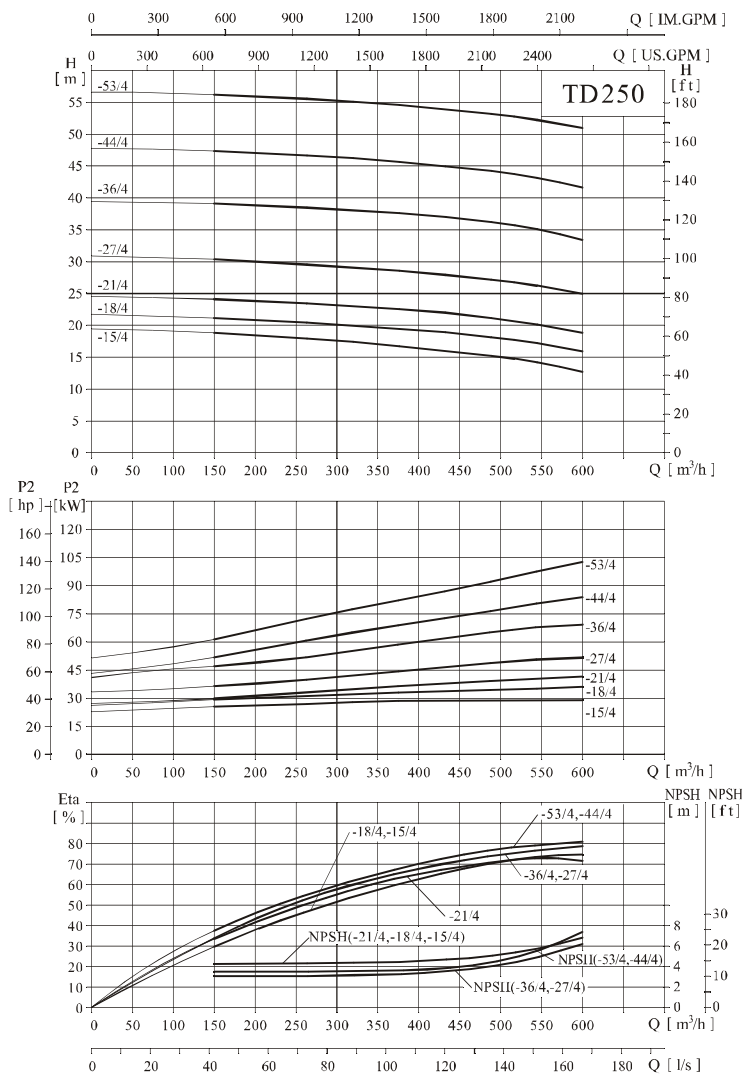


● Size and weight

Model	Size (mm)											Weight (kg)
	D	B1	B2	B3	B4	B5	H1	H2	H3	L1	L2	
TD200-12.5/4	350	360	280	278	219	360	270	415	1300	1000	500	432
TD200-20/4	400	400	305	278	219	360	270	415	1334	1000	500	492
TD200-23/4	450	450	335	303	252	360	270	445	1389	1100	550	602
TD200-27/4	450	450	335	303	252	360	270	445	1412	1100	550	638
TD200-32/4	550	490	365	303	252	360	270	445	1488	1100	550	710
TD200-43/4	550	550	400	315	269	360	270	457	1556	1100	550	883
TD200-50/4	550	550	400	315	269	360	270	457	1607	1100	550	975

Performance curve

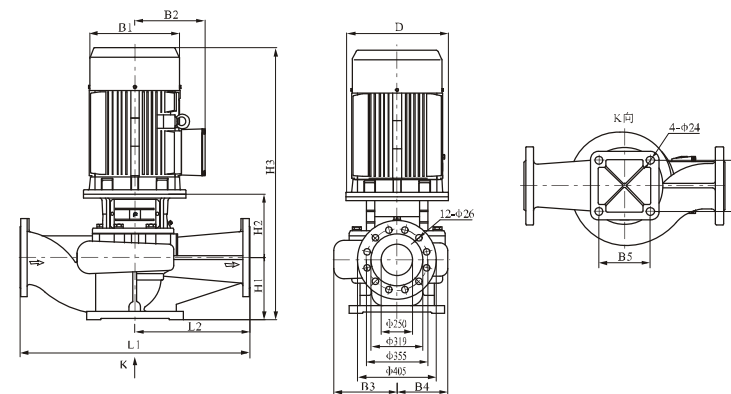
ISO9906 Annex A



Performance table

Model	Driving motor		Q (m³/h)	H (m)											
	(kW)	(hp)		150	200	250	300	350	400	450	500	550	600		
TD250-15/4	30	40	H (m)	18.8	18.4	18	17.6	17.1	16.4	15.8	15	14.1	12.7		
TD250-18/4	37	50		21.2	20.9	20.5	20.1	19.7	19.2	18.7	18	17.1	15.9		
TD250-21/4	45	60		24.1	23.8	23.5	23.1	22.8	22.3	21.8	21	20	18.8		
TD250-27/4	55	75		30.3	30	29.6	29.2	28.8	28.3	27.7	27	26.1	24.9		
TD250-36/4	75	100		39.1	38.8	38.5	38.2	37.8	37.3	36.8	36	35	33.4		
TD250-44/4	90	120		47.4	47.1	46.8	46.4	45.9	45.4	44.8	44	43	41.6		
TD250-53/4	110	150		56.2	55.9	55.6	55.3	54.8	54.3	53.7	53	52.1	50.9		

Installation sketch

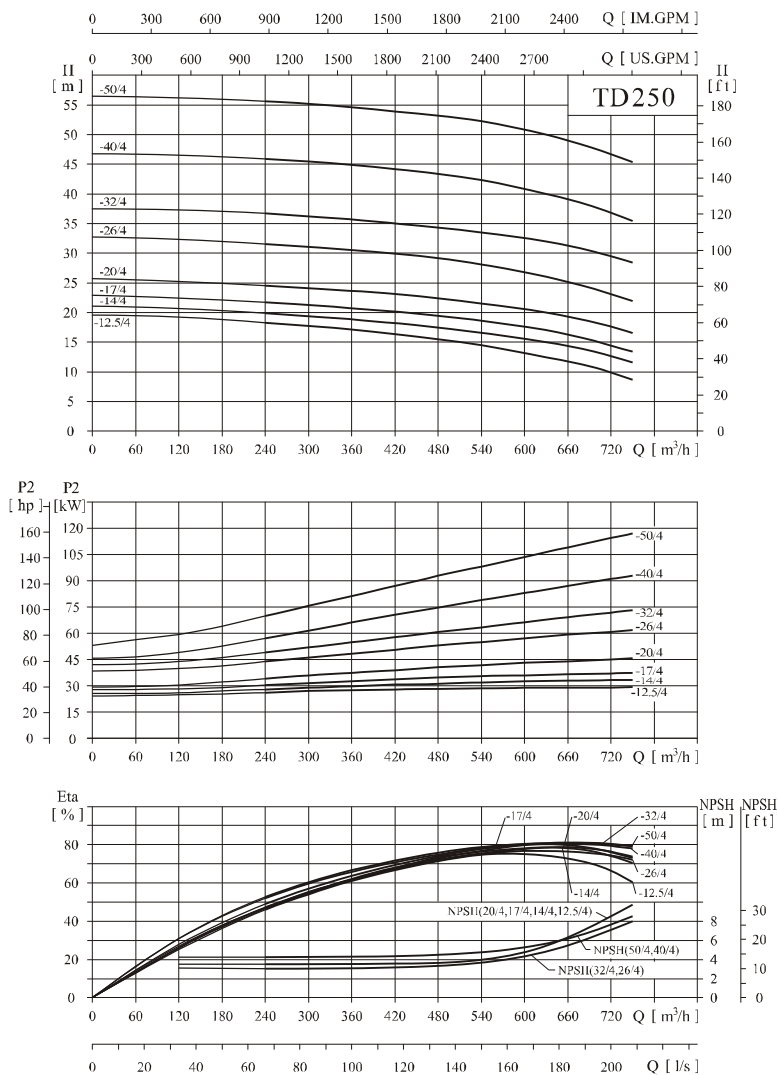


Size and weight

Model	Size (mm)											Weight (kg)
	D	B1	B2	B3	B4	B5	H1	H2	H3	L1	L2	
TD250-15/4	400	400	305	316	243	390	300	465	1414	1100	550	553
TD250-18/4	450	450	335	316	243	390	300	495	1469	1100	550	614
TD250-21/4	450	450	335	316	243	390	300	495	1492	1100	550	650
TD250-27/4	550	490	365	329	264	440	300	507	1580	1100	550	780
TD250-36/4	550	550	400	329	264	440	300	507	1636	1100	550	909
TD250-44/4	550	550	400	347	292	440	305	485	1670	1200	600	1032
TD250-53/4	660	625	555	347	292	440	305	525	1840	1200	600	1391

Performance curve

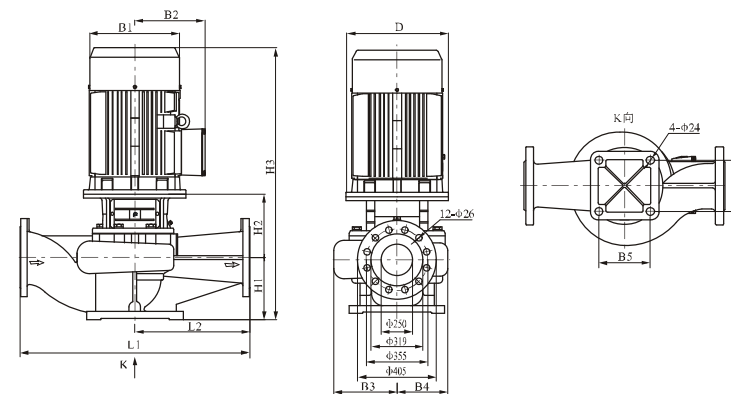
ISO9906 Annex A



Performance table

Model	Driving motor		Q (m³/h)	H (m)											
	(kW)	(hp)		240	300	360	420	480	540	600	630	660	720	750	
TD250-12.5/4	30	40		18.4	17.9	17.2	16.4	15.5	14.5	13.2	12.5	11.8	9.9	8.7	
TD250-14/4	37	50		20	19.5	18.9	18.2	17.5	16.6	15.6	14	13.4	12.6	11.6	
TD250-17/4	45	60		21.8	21.3	20.8	20.1	19.4	18.6	17.6	17	16.3	14.4	13.4	
TD250-20/4	55	75		24.5	24.1	23.7	23.1	22.4	21.5	20.5	20	19.3	17.6	16.5	
TD250-26/4	75	100		31.7	31.1	30.6	29.9	29.1	28.2	26.8	26	25.2	23.1	21.9	
TD250-32/4	90	120		36.7	36.3	35.7	35.1	34.3	33.5	32.6	32	31.3	29.5	28.4	
TD250-40/4	110	150		46	45.5	44.9	44.2	43.4	42.3	40.8	40	39.1	36.8	35.5	
TD250-50/4	132	180		55.6	55.2	54.6	53.9	53.2	52.3	50.9	50	49	46.7	45.4	

Installation sketch

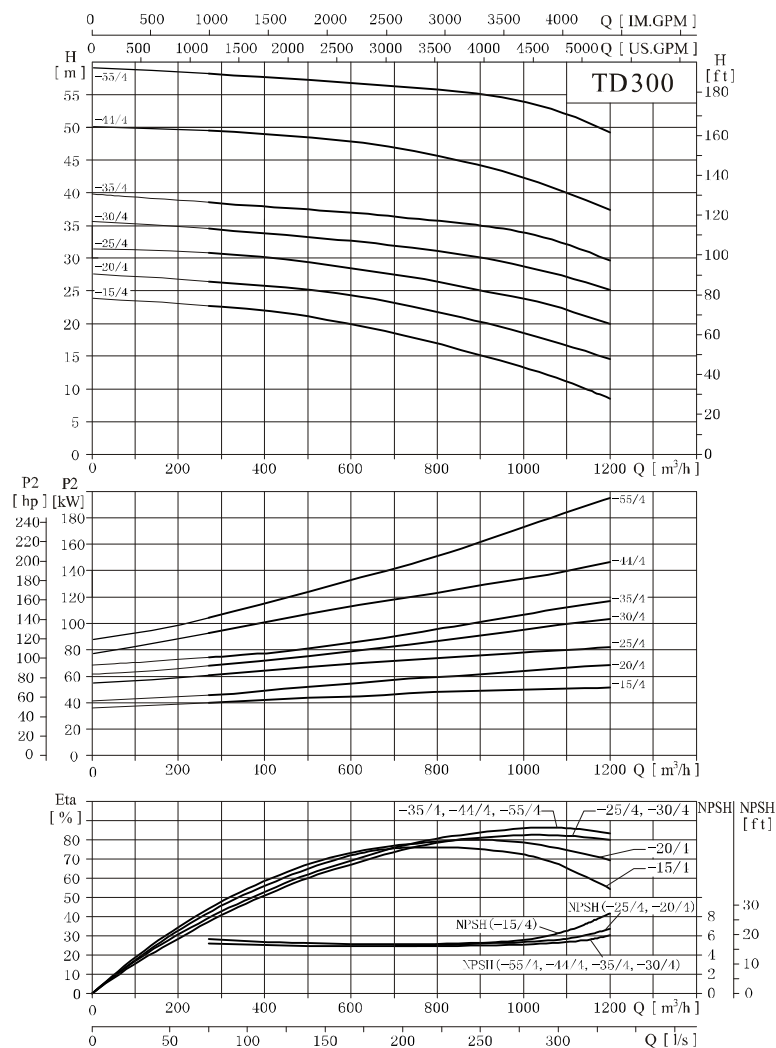


Size and weight

Model	Size (mm)											Weight (kg)
	D	B1	B2	B3	B4	B5	H1	H2	H3	L1	L2	
TD250-12.5/4	400	400	305	316	243	390	300	465	1414	1100	550	552
TD250-14/4	450	450	335	316	243	390	300	495	1469	1100	550	613
TD250-17/4	450	450	335	316	243	390	300	495	1492	1100	550	649
TD250-20/4	550	490	365	316	243	390	300	495	1568	1100	550	722
TD250-26/4	550	550	400	329	264	440	300	507	1636	1100	550	909
TD250-32/4	550	550	400	329	264	440	300	507	1687	1100	550	999
TD250-40/4	660	625	555	347	292	440	305	525	1840	1200	600	1389
TD250-50/4	660	625	555	347	292	440	305	525	1990	1200	600	1473

● Performance curve

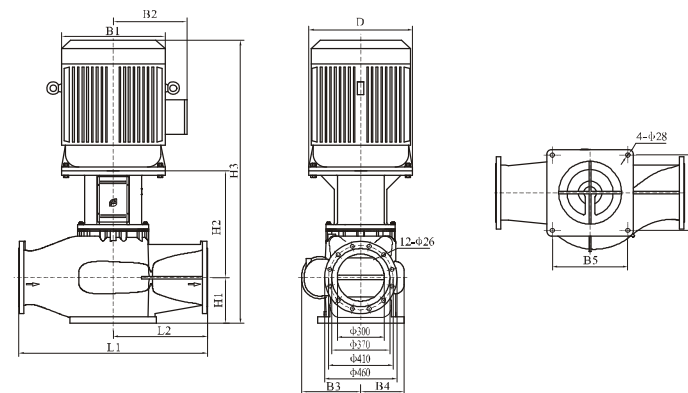
ISO9906 Annex A



● Performance table

Model	Driving motor		Q (m³/h)	270	360	450	630	750	900	1080	1200
	(kW)	(hp)									
TD300-15/4	55	75	H (m)	22.7	22.3	21.6	19.5	17.8	15	11.6	8.5
TD300-20/4	75	100		26.4	26	25.5	24.1	22.4	20	17.1	14.5
TD300-25/4	90	120		30.8	30.4	29.8	28.2	27.1	25	22.5	20
TD300-30/4	110	150		34.5	34	33.5	32.4	31.6	30	27.5	25
TD300-35/4	132	180		38.6	38.1	37.8	36.9	36	35	32.6	29.6
TD300-44/4	160	215		49.5	49.2	48.8	47.6	46.3	44	40.5	37.5
TD300-55/4	200	270		58.2	57.9	57.6	56.7	56.1	55	52.5	49.2

● Installation sketch

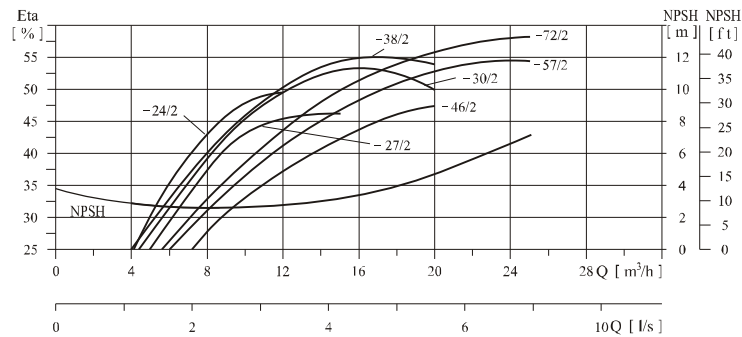
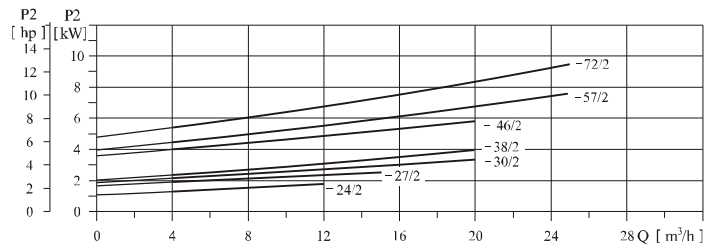
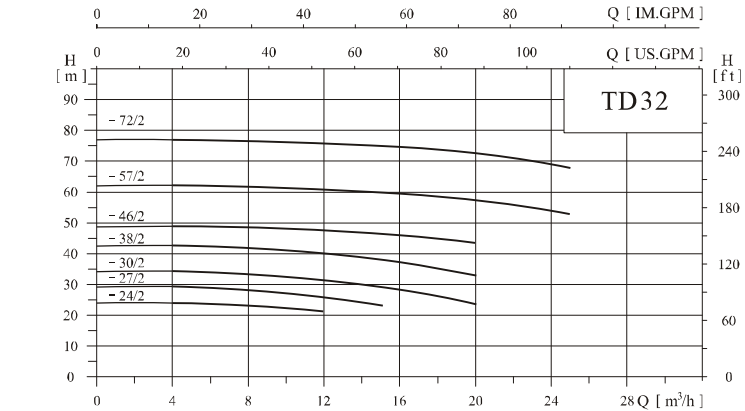


● Size and weight

Model	Size (mm)											Weight (kg)
	D	B1	B2	B3	B4	B5	H1	H2	H3	L1	L2	
TD300-15/4	550	490	365	345	250	440	290	649	1720	1200	600	907
TD300-20/4	550	550	400	345	250	440	290	649	1770	1200	600	1075
TD300-25/4	550	550	400	380	280	480	290	659	1850	1200	600	1230
TD300-30/4	660	625	550	380	280	480	290	699	2000	1200	600	1570
TD300-35/4	660	625	550	380	280	480	290	699	2150	1200	600	1650
TD300-44/4	660	625	550	380	295	480	290	702	2150	1200	600	1790
TD300-55/4	660	625	550	380	295	480	290	702	2150	1200	600	1905

● Performance curve

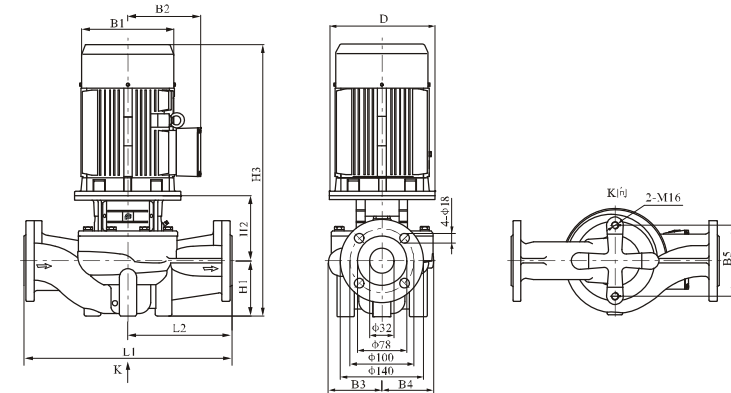
ISO9906 Annex A



● Performance table

Model	Driving motor		Q (m³/h)	4	7	8	10	12	15	20	25
	(kW)	(hp)									
TD32-24/2	1.5	2	H (m)	24.5	24	23		21			
TD32-27/2	2.2	3		29		28	27	26	23		
TD32-30/2	3	4		35		34		32	30	23	
TD32-38/2	4	5.5		43		42		40	38	33	
TD32-46/2	5.5	7.5		49		49		48	46	44	
TD32-57/2	7.5	10		62		62		61	59	57	53
TD32-72/2	11	15		77		77		76	75	72	67

● Installation sketch

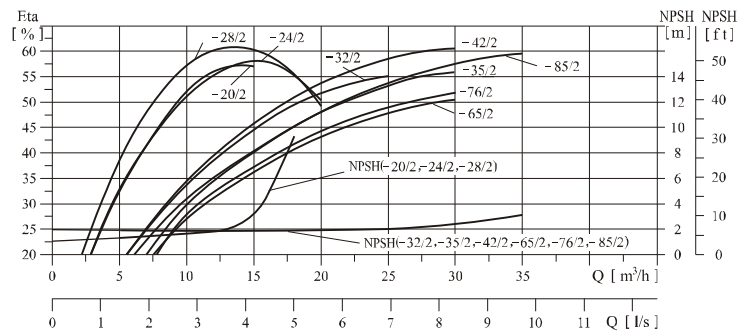
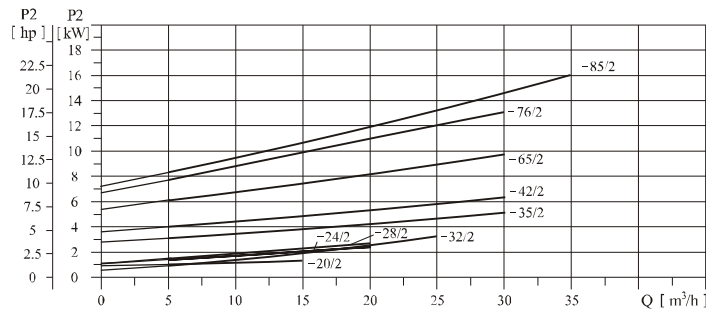
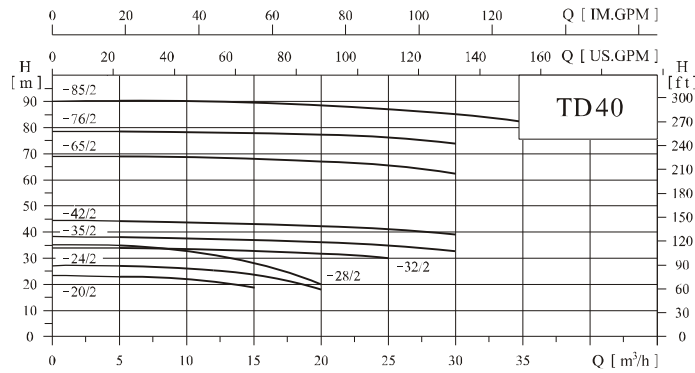


● Size and weight

Model	Size (mm)											Weight (kg)
	D	B1	B2	B3	B4	B5	H1	H2	H3	L1	L2	
TD32-24/2	140	190	155	115	115	144	100	166	556	340	170	56
TD32-27/2	140	190	155	115	115	144	100	166	556	340	170	59
TD32-30/2	160	197	165	115	115	144	100	185	630	340	170	68
TD32-38/2	160	230	188	129	129	144	100	185	640	440	220	79
TD32-46/2	200	260	208	129	129	144	100	213	703	440	220	104
TD32-57/2	200	260	208	129	129	144	100	213	703	440	220	107
TD32-72/2	350	330	255	129	129	144	100	262	862	440	220	167

● Performance curve

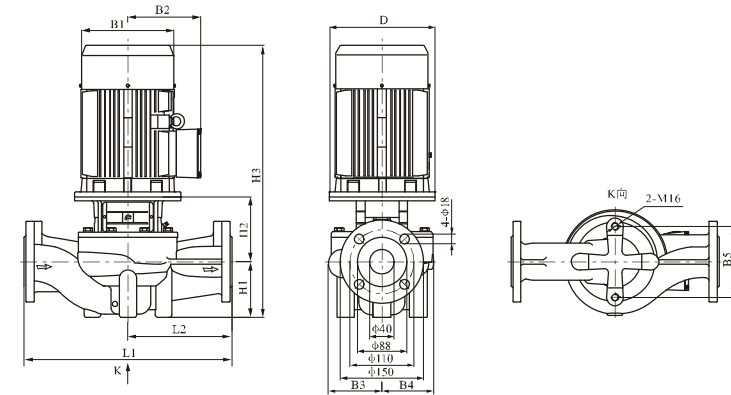
ISO9906 Annex A



● Performance table

Model	Driving motor		Q (m³/h)	5	10	12	15	20	25	30	35
	(kW)	(hp)									
TD40-20/2	1.5	2	H (m)	23	22	20	18				
TD40-24/2	2.2	3		27	26		24	18			
TD40-28/2	3	4		35	33		28	20			
TD40-32/2	4	5.5		34	34		33	32	30		
TD40-35/2	5.5	7.5		38	38		37	36	35	33	
TD40-42/2	7.5	10		45	45		44	43	42	40	
TD40-65/2	11	15		69	69		68	67	65	63	
TD40-76/2	15	20		79	79		78	77	76	73	
TD40-85/2	18.5	25		91	91		90	89	87	85	82

● Installation sketch

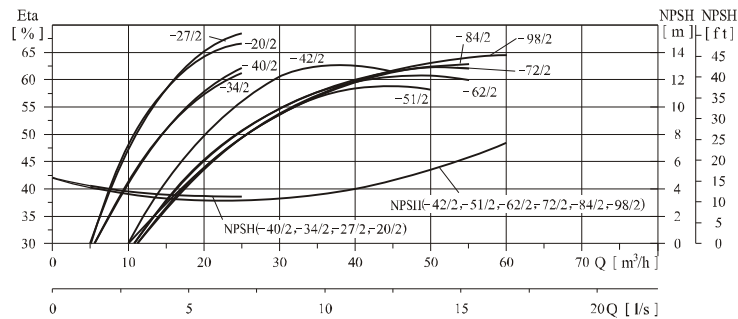
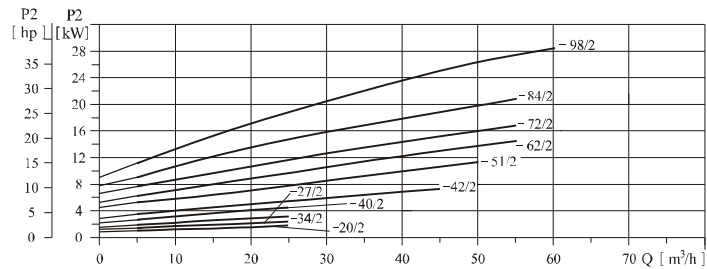
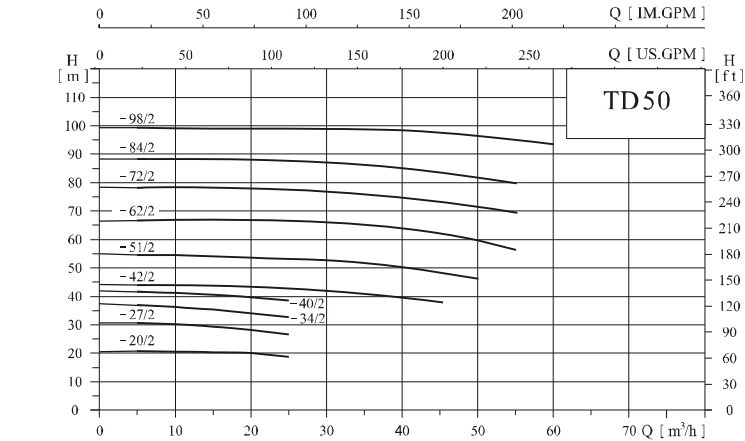


● Size and weight

Model	Size (mm)											Weight (kg)
	D	B1	B2	B3	B4	B5	I11	I12	H3	L1	L2	
TD40-20/2	140	190	155	97	95	120	68	160	518	320	160	46
TD40-24/2	140	190	155	97	95	120	68	160	518	320	160	53
TD40-28/2	160	197	165	97	95	120	68	178	591	320	160	70
TD40-32/2	160	230	188	138	128	144	110	185	650	440	220	77
TD40-35/2	200	260	208	138	128	144	110	213	713	440	220	106
TD40-42/2	200	260	208	138	128	144	110	213	713	440	220	110
TD40-65/2	350	330	255	138	128	144	110	262	872	440	220	167
TD40-76/2	350	330	255	140	138	144	110	262	872	440	220	178
TD40-85/2	350	330	255	140	138	144	110	262	922	440	220	196

● Performance curve

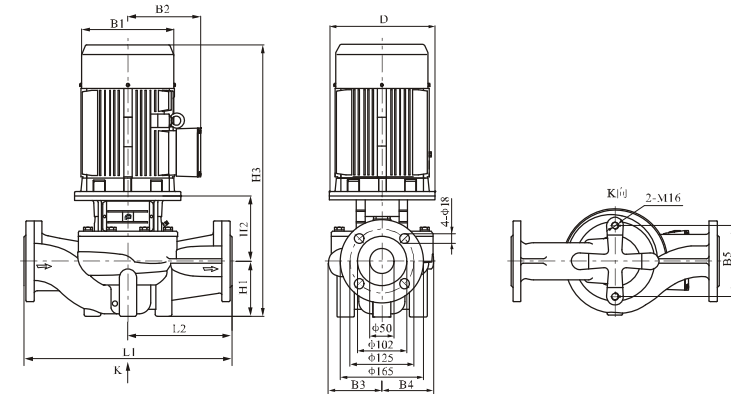
ISO9906 Annex A



● Performance table

Model	Driving motor		Q (m³/h)	H (m)													
	(kW)	(hp)		5	10	15	20	25	30	35	40	45	50	55	60		
TD50-20/2	2.2	3		21	20.5	20.3	20	18.5									
TD50-27/2	3	4		31	30	28.8	27	26									
TD50-34/2	4	5.5		37	36.2	35.3	34	32.7									
TD50-40/2	5.5	7.5		41.5	41.2	41	40	39									
TD50-42/2	7.5	10		45.5	44		43		42		40	39					
TD50-51/2	11	15		54	53.5		52.5		52	51	50		47				
TD50-62/2	15	20		66.5	66.6		66		65		63	62	59	56			
TD50-72/2	18.5	25		77	77		77.2		76		73	72	71	69			
TD50-84/2	22	30		88	88		88		87		85	84	83	82			
TD50-98/2	30	40		99.1	99.4		99.6		99		98.5		98		93		

● Installation sketch

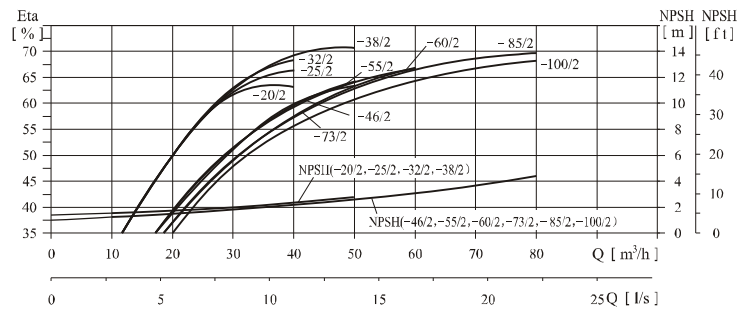
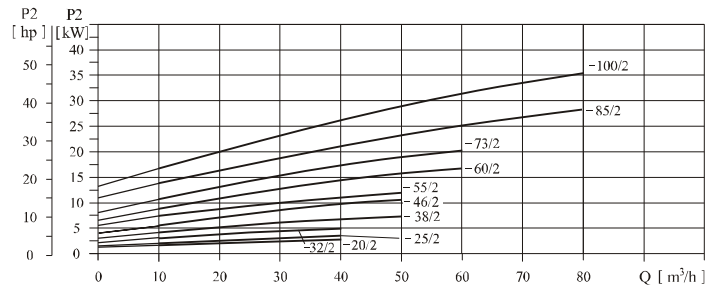
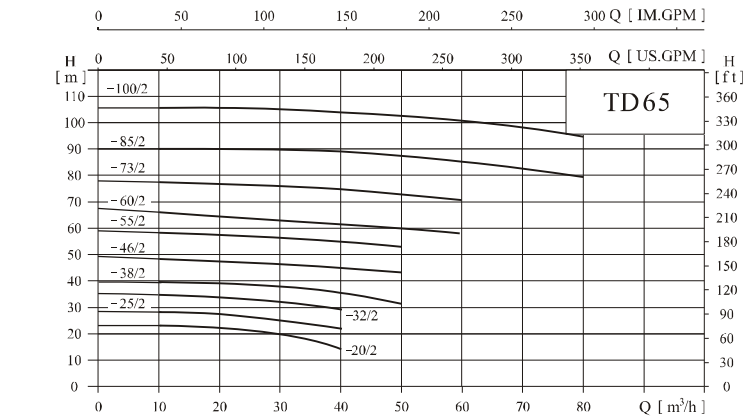


● Size and weight

Model	Size (mm)											Weight (kg)
	D	B1	B2	B3	B4	B5	I11	I12	H3	L1	L2	
TD50-20/2	140	190	155	117	115	144	115	153	558	340	170	65
TD50-27/2	160	197	165	117	115	144	115	172	632	340	170	74
TD50-34/2	160	230	188	129	115	144	115	172	642	340	170	79
TD50-40/2	200	260	208	129	115	144	115	197	702	340	170	103
TD50-42/2	200	260	208	171	158	144	115	197	702	440	220	118
TD50-51/2	350	330	255	171	158	144	115	250	865	440	220	181
TD50-62/2	350	330	255	171	158	144	115	250	865	440	220	191
TD50-72/2	350	330	255	171	158	144	115	250	915	440	220	209
TD50-84/2	350	360	285	171	158	144	115	250	940	440	220	245
TD50-98/2	400	400	310	171	158	144	115	250	1015	440	220	296

● Performance curve

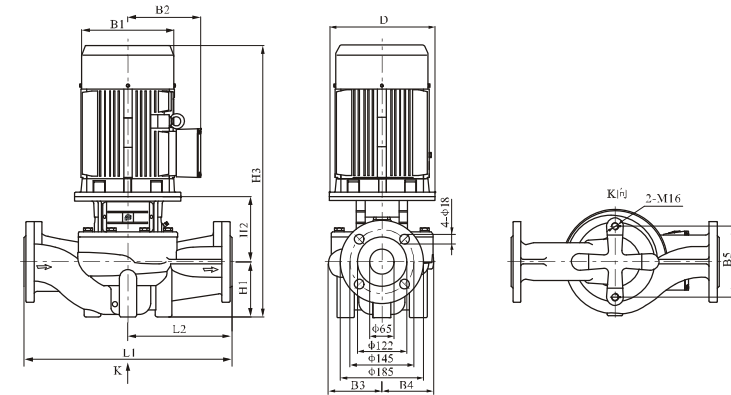
ISO9906 Annex A



● Performance table

Model	Driving motor		Q (m³/h)	H (m)														
	(kW)	(hp)		10	20	30	35	40	50	60	70	80						
TD65-20/2	3	4		22.2	22	20	18	14.3										
TD65-25/2	4	5.5		28	27	25	24	21										
TD65-32/2	5.5	7.5		35	33.5	32	31	29.5										
TD65-38/2	7.5	10		39.5	38.7	38.5	38	36	31.5									
TD65-46/2	11	15		48	47	46.5	46	45	44									
TD65-55/2	15	20		57.3	56.5	56.2	55	54	52									
TD65-60/2	18.5	25		64	63.8	62	61.8	60.5	60	56								
TD65-73/2	22	30		78	77	76.5	76	75.5	73	71								
TD65-85/2	30	40		87.8	88	90	90.5	89.5	88.5	85	83	79						
TD65-100/2	37	50		107.6	106	105	104	103	102	100	99.5	94						

● Installation sketch

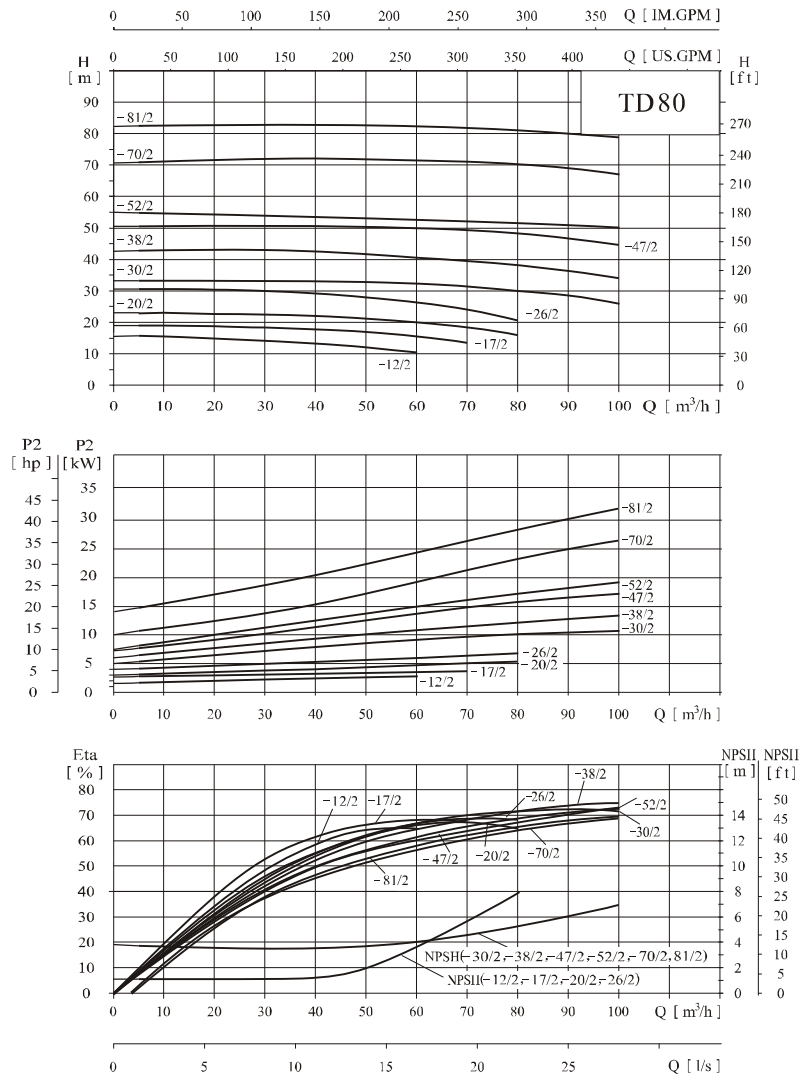


● Size and weight

Model	Size (mm)											Weight (kg)
	D	B1	B2	B3	B4	B5	I11	I12	H3	L1	L2	
TD65-20/2	160	197	165	142	124	144	105	191	641	360	180	74
TD65-25/2	160	230	188	142	124	144	105	191	651	360	180	81
TD65-32/2	200	260	208	142	124	144	105	213	708	360	180	105
TD65-38/2	200	260	208	142	124	144	105	213	708	360	180	108
TD65-46/2	350	330	255	179	167	144	125	262	887	475	238	183
TD65-55/2	350	330	255	179	167	144	125	262	887	475	238	193
TD65-60/2	350	330	255	179	167	144	125	262	937	475	238	210
TD65-73/2	350	330	255	179	167	144	125	262	962	475	238	248
TD65-85/2	400	400	310	179	167	144	125	262	1037	475	238	309
TD65-100/2	400	400	310	179	167	144	125	262	1037	475	238	328

● Performance curve

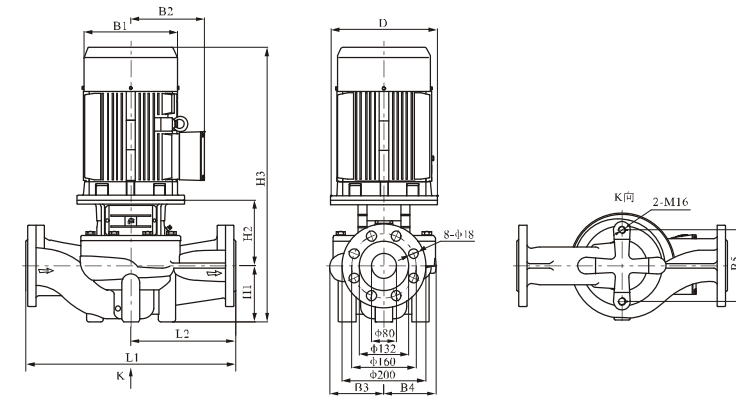
ISO9906 Annex A



● Performance table

Model	Driving motor		Q (m³/h)	H (m)												
	(kW)	(hp)		5	10	20	30	40	50	60	70	80	90	100		
TD80-12/2	3	4		15.2	15.6	15	14.5	13.5	12	10.5						
TD80-17/2	4	5.5		18.5	19	18.6	18.1	17.5	17	15.8	13.5					
TD80-20/2	5.5	7.5		22.5	23	23.6	22.8	22	21.2	20	19	16				
TD80-26/2	7.5	10		30.3	30.6	30.4	30	29	28	26	25	21				
TD80-30/2	11	15		36.8	36.8	36.7	35.8	35.3	34.2	33.1	32.4	30	27.8	23.5		
TD80-38/2	15	20		42.9	43	43.1	43	42.6	42	40.5	39.5	38	36.2	32.3		
TD80-47/2	18.5	25		51.3	51.5	50.9	50.5	50.3	50.2	50	49.4	47	46.5	44.6		
TD80-52/2	22	30		54.7	55.5	55.2	55	54.8	54.5	54.3	53.4	52	50.5	50		
TD80-70/2	30	40		70.9		71.4		72	71.9	71.6	71	70	69.3	65		
TD80-81/2	37	50		81.9		82.8		82.9		82.5	82.4	81	80	78		

● Installation sketch

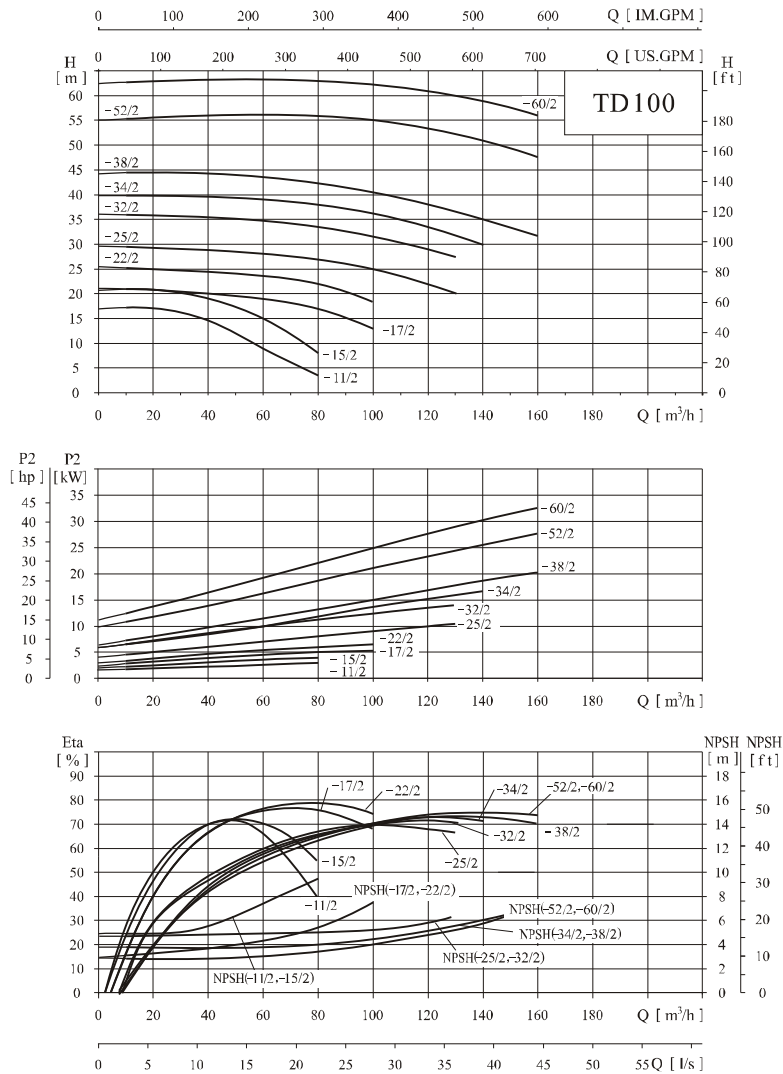


● Size and weight

Model	Size (mm)											Weight (kg)
	D	B1	B2	B3	B4	B5	I11	I12	H3	L1	L2	
TD80-12/2	160	197	165	142	124	160	97	219	661	450	225	84
TD80-17/2	160	230	188	142	124	160	97	219	671	450	225	91
TD80-20/2	160	260	210	142	124	160	97	241	728	450	225	114
TD80-26/2	160	260	210	142	124	160	97	241	728	450	225	117
TD80-30/2	350	330	255	182	163	144	115	279	894	500	250	194
TD80-38/2	350	330	255	182	163	144	115	279	894	500	250	204
TD80-47/2	350	330	255	182	163	144	115	279	944	500	250	222
TD80-52/2	350	330	255	182	163	144	115	279	969	500	250	258
TD80-70/2	400	400	310	182	163	144	115	279	1044	500	250	319
TD80-81/2	400	400	310	182	163	144	115	279	1044	500	250	338

● Performance curve

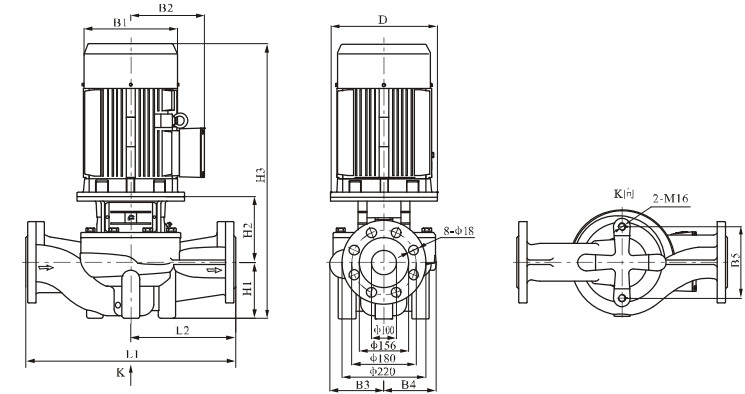
ISO9906 Annex A



● Performance table

Model	Driving motor		Q (m³/h)	H (m)											
	(kW)	(hp)		10	20	40	50	60	80	100	120	130	140	160	
TD100-11/2	3	4		17.2	17.1	14.6	11	9	6.3						
TD100-15/2	4	5.5		20.7	20.8	17.9		15	8						
TD100-17/2	5.5	7.5		21.1	20.8	20		19.2	17	13					
TD100-22/2	7.5	10		25.6	25.4	24.4		23.5	22	18.4					
TD100-25/2	11	15		29.1	29.5	28.8		27.8	26.6	25	19.8	19.4			
TD100-32/2	15	20		36	36.6	35.6		34.6	33.5	32	28.9	25.5			
TD100-34/2	18.5	25		39.4	39.4	39.5		39	37.8	36.2	34	33.4	31		
TD100-38/2	22	30		43.7	44.5	44.2		43.8	42.5	40.5	38	36.4	35	30.8	
TD100-52/2	30	40		55	55.8	55.9		55.9	55.5	55	53.6	52	50.9	47.6	
TD100-60/2	37	50		62	62.9	63.3		63.2	63	62	60.6	60	57.6	54	

● Installation sketch

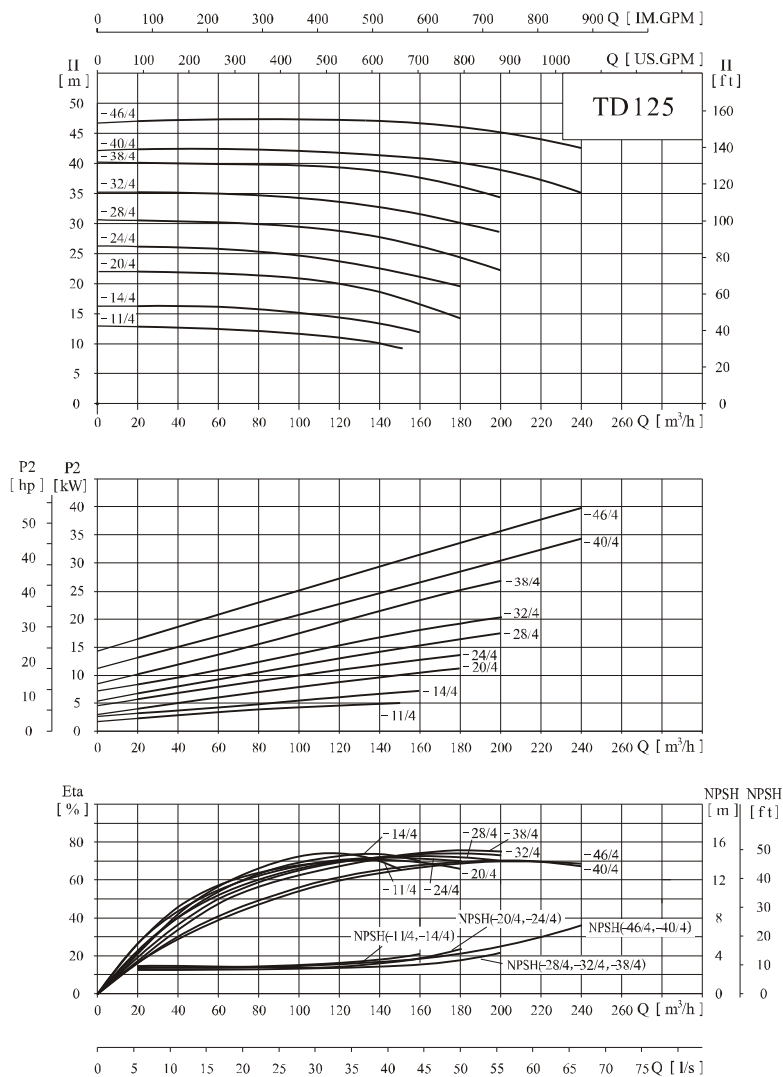


● Size and weight

Model	Size (mm)											Weight (kg)
	D	B1	B2	B3	B4	B5	I11	I12	H3	L1	L2	
TD100-11/2	160	215	190	134	101	160	105	190	640	450	225	65
TD100-15/2	160	215	190	134	101	160	105	190	650	450	225	83
TD100-17/2	200	260	205	150	117	144	140	215	745	500	250	119
TD100-22/2	200	260	205	150	117	144	140	215	745	500	250	122
TD100-25/2	350	350	245	181	152	230	140	270	910	550	275	197
TD100-32/2	350	350	265	181	152	230	140	270	910	550	275	207
TD100-34/2	350	350	265	181	152	230	140	270	960	550	275	224
TD100-38/2	350	350	280	181	152	230	140	270	985	550	275	260
TD100-52/2	400	400	305	181	152	230	140	270	1060	550	275	318
TD100-60/2	400	400	305	181	152	230	140	270	1060	550	275	337

● Performance curve

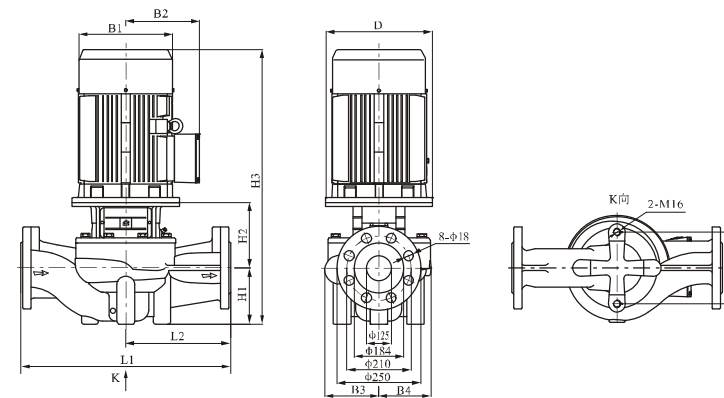
ISO9906 Annex A



● Performance table

Model	Driving motor		Q (m³/h)	H (m)													
	(kW)	(hp)		20	40	60	80	100	120	140	150	160	180	200	220	240	
TD125-11/4	5.5	7.5		12.9	12.7	12.6	12.2	11.6	11	10	9						
TD125-14/4	7.5	10		16.2	16.1	16	15.9	15.3	14	13.8		12.5					
TD125-20/4	11	15		21.8	21.4	21.2	21	20.6	20	18		16.4	14.5				
TD125-24/4	15	20		26.2	25.9	25.7	25.5	24.8	24	22.9		21.2	19.8				
TD125-28/4	18.5	25		30.4	30.2	30.1	29.9	29.4	28.6	28		26.6	24.5	22.5			
TD125-32/4	22	30		35.2	34.9	34.8	34.5	34.2	33.5	32.7	32	31.3	30.1	27.8			
TD125-38/4	30	40		40.2	40.1	40	39.9	39.8	39.5	38.6	38	37.8	36.2	33.8			
TD125-40/4	37	50		42.6	42.8	42.9	42.7	42.4	41.9	41.3		40.7	40	38.9	37.4	35.6	
TD125-46/4	45	60		47.2	47.4	47.6	47.7	47.6	47.5	47.2		46.7	46	45.1	44.1	42.8	

● Installation sketch

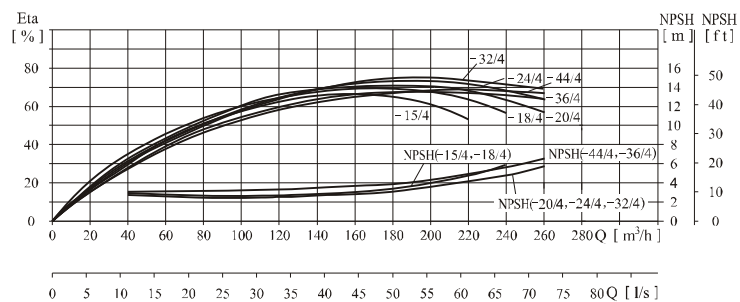
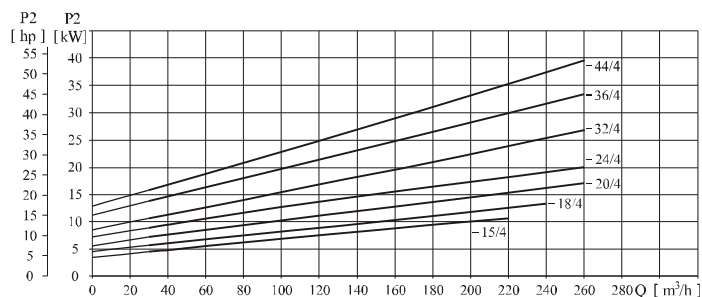
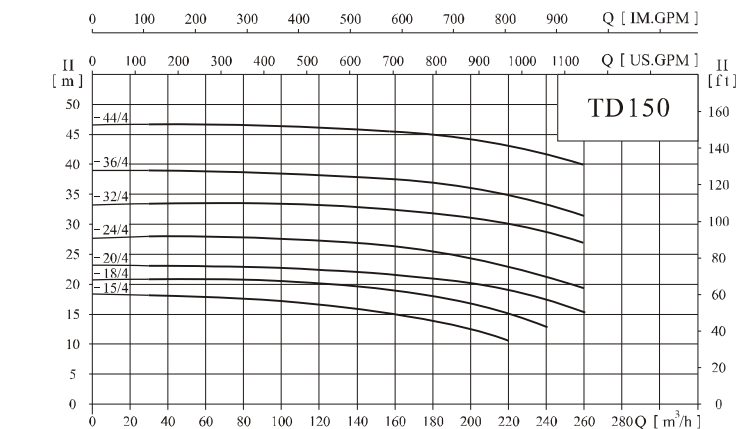


● Size and weight

Model	Size (mm)											Weight (kg)
	D	B1	B2	B3	B4	B5	I11	I12	H3	L1	L2	
TD125-11/4	200	260	208	216	176	230	215	228	832	620	310	166
TD125-14/4	200	260	208	216	176	230	215	228	832	620	310	169
TD125-20/4	350	330	255	236	208	230	215	298	1011	800	400	292
TD125-24/4	350	330	255	236	208	230	215	298	1053	800	400	302
TD125-28/4	350	330	255	236	208	230	215	298	1090	800	400	321
TD125-32/4	350	330	255	236	208	230	215	298	1128	800	400	356
TD125-38/4	400	400	310	236	208	230	215	298	1162	800	400	416
TD125-40/4	450	450	325	272	248	230	215	314	1203	800	400	499
TD125-46/4	450	450	325	272	248	230	215	314	1226	800	400	536

● Performance curve

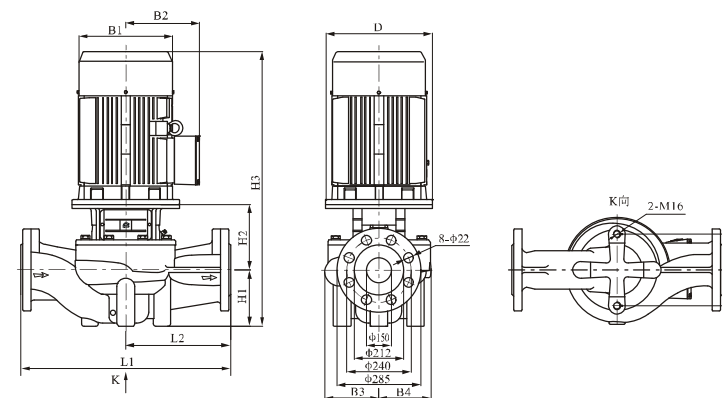
ISO9906 Annex A



● Performance table

Model	Driving motor		Q (m³/h)	H (m)											
	(kW)	(hp)		30	60	90	120	140	160	180	200	220	240	260	
TD150-15/4	11	15		19.1	18.4	17.6	16.7	15.9	15	14.1	12.7	10.5			
TD150-18/4	15	20		21.6	21.3	20.8	20.1	19.5	18.8	18	16.9	15.4	12.6		
TD150-20/4	18.5	25		24	23.6	23.3	22.9	22.4	21.7	20.9	20	18.9	17.4	15.6	
TD150-24/4	22	30		27	27.2	27.1	26.8	26.3	25.8	24.9	24	22.8	21.5	19.9	
TD150-32/4	30	40		34.2	34.4	34.6	34.4	34	33.5	32.8	32	30.9	29.4	27.3	
TD150-36/4	37	50		39.7	39.3	38.8	38.2	37.8	37.3	36.7	36	34.9	33.6	31.9	
TD150-44/4	45	60		47.3	47.4	47.2	46.8	46.4	45.8	45	44	42.9	41.7	40.2	

● Installation sketch

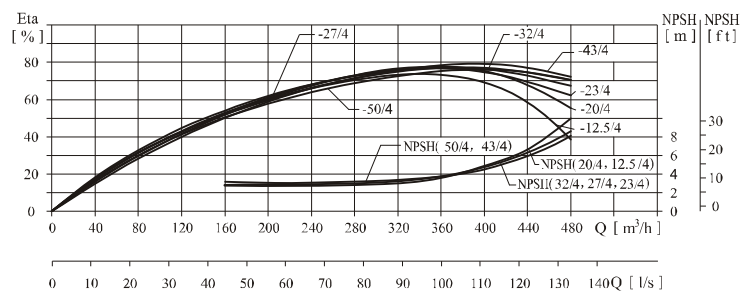
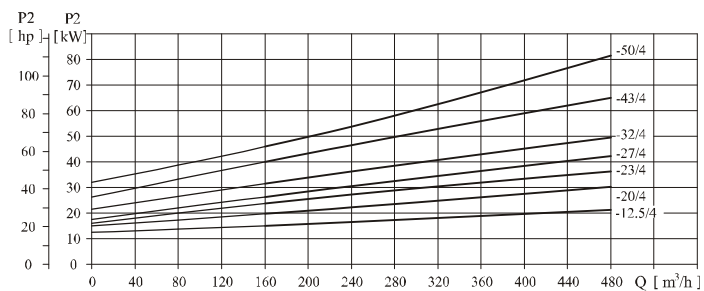
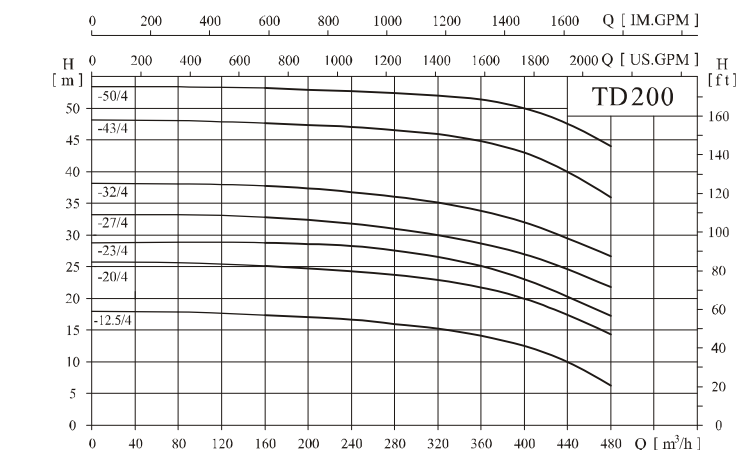


● Size and weight

Model	Size (mm)											Weight (kg)
	D	B1	B2	B3	B4	B5	H1	H2	H3	L1	L2	
TD150-15/4	350	315	250	238	208	230	215	269	982	800	400	280
TD150-18/4	350	315	250	238	208	230	215	269	1024	800	400	300
TD150-20/4	350	360	275	238	208	230	215	269	1061	800	400	336
TD150-24/4	350	360	275	238	208	230	215	269	1099	800	400	352
TD150-32/4	400	400	305	238	208	230	215	269	1133	800	400	403
TD150-36/4	450	450	325	267	248	230	230	288	1192	900	450	508
TD150-44/4	450	450	325	267	248	230	230	288	1215	900	450	545

● Performance curve

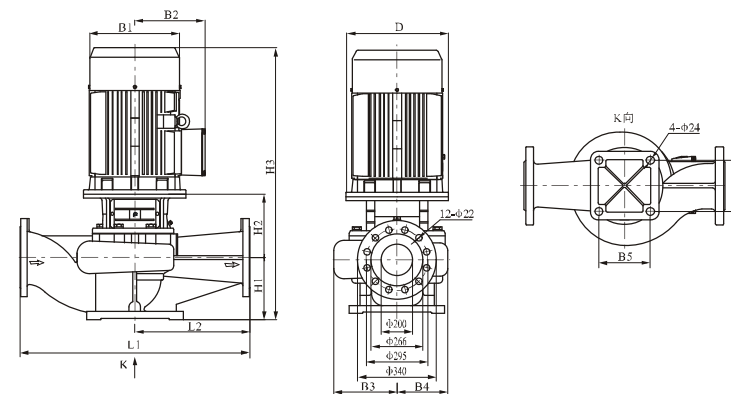
ISO9906 Annex A



● Performance table

Model	Driving motor		Q (m³/h)	H (m)									
	(kW)	(hp)		160	200	240	280	320	360	400	440	480	
TD200-12.5/4	22	30		17.4	17.1	16.7	16	15.2	14.1	12.5	10	6.3	
TD200-20/4	30	40		25.1	24.8	24.3	23.8	23	21.8	20	17.5	14.9	
TD200-23/4	37	50		28.8	28.6	28.3	27.6	26.6	25.1	23	20.3	17.3	
TD200-27/4	45	60		32.8	32.4	31.8	31	30	28.7	27	24.6	21.8	
TD200-32/4	55	75		37.8	37.4	36.8	36.1	35.1	33.8	32	29.5	26.7	
TD200-43/4	75	100		47.7	47.4	47.1	46.6	45.9	44.8	43	40	36	
TD200-50/4	90	120		53.2	52.9	52.7	52.4	52	51.4	50	47.6	44	

● Installation sketch

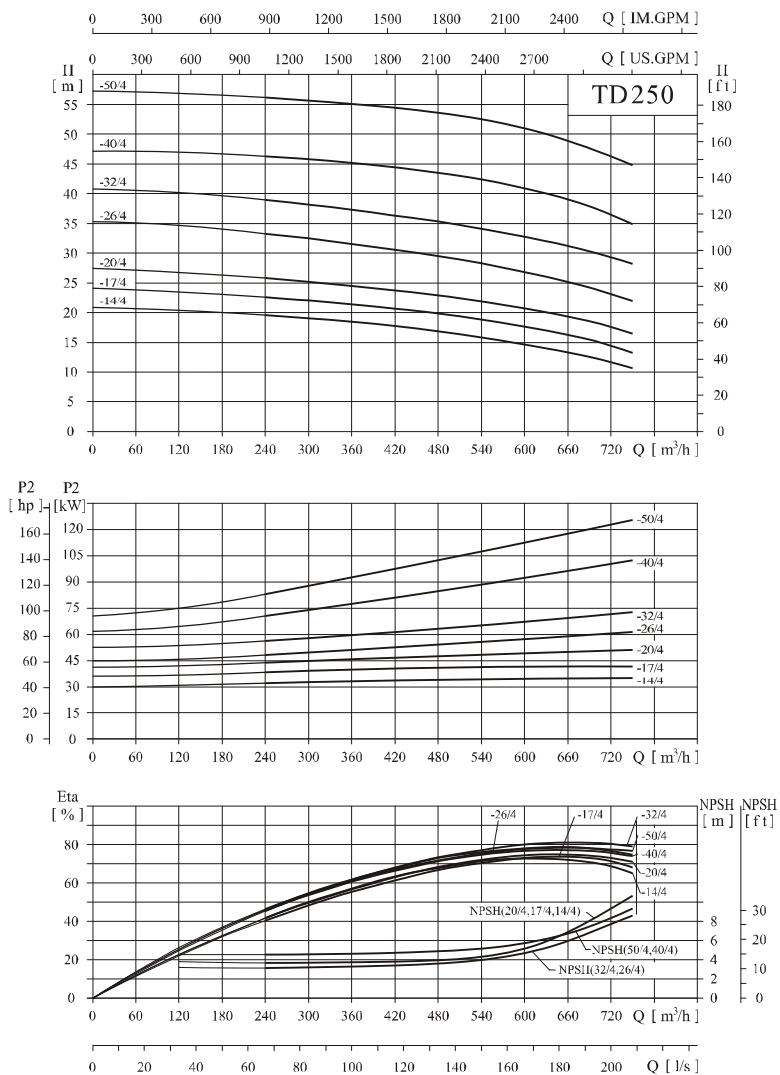


● Size and weight

Model	Size (mm)											Weight (kg)
	D	B1	B2	B3	B4	B5	H1	H2	H3	L1	L2	
TD200-12.5/4	350	360	280	278	219	360	270	415	1300	1000	500	431
TD200-20/4	400	400	305	278	219	360	270	415	1334	1000	500	490
TD200-23/4	450	450	335	303	252	360	270	445	1389	1100	550	600
TD200-27/4	450	450	335	303	252	360	270	445	1412	1100	550	636
TD200-32/4	550	490	365	303	252	360	270	445	1488	1100	550	707
TD200-43/4	550	550	400	315	269	360	270	457	1556	1100	550	880
TD200-50/4	550	550	400	315	269	360	270	457	1607	1100	550	971

● Performance curve

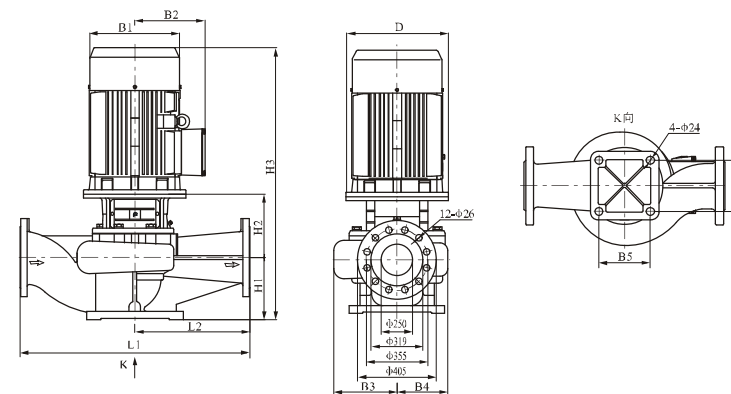
ISO9906 Annex A



● Performance table

Model	Driving motor		Q (m³/h)	H (m)											
	(kW)	(hp)		240	300	360	420	480	540	600	630	660	720	750	
TD250-14/4	37	50		19.6	19.1	18.4	17.7	16.8	15.9	14.7	14	13.3	11.6	10.7	
TD250-17/4	45	60		22.5	22.1	21.4	20.7	19.9	18.9	17.6	17	16.3	14.4	13.2	
TD250-20/4	55	75		25.8	25.2	24.5	23.7	22.9	21.9	20.7	20	19.3	17.6	16.5	
TD250-26/4	75	100		33.3	32.5	31.5	30.6	29.5	28.2	26.8	26	25.2	23.1	21.9	
TD250-32/4	90	120		38.9	38.2	37.3	36.3	35.3	34.2	32.8	32	31.2	29.3	28.2	
TD250-40/4	110	150		46.4	45.8	45.2	44.4	43.6	42.4	40.9	40	39	36.5	34.9	
TD250-50/4	132	180		56.1	55.7	55.1	54.4	53.6	52.5	50.9	50	48.9	46.3	44.8	

● Installation sketch

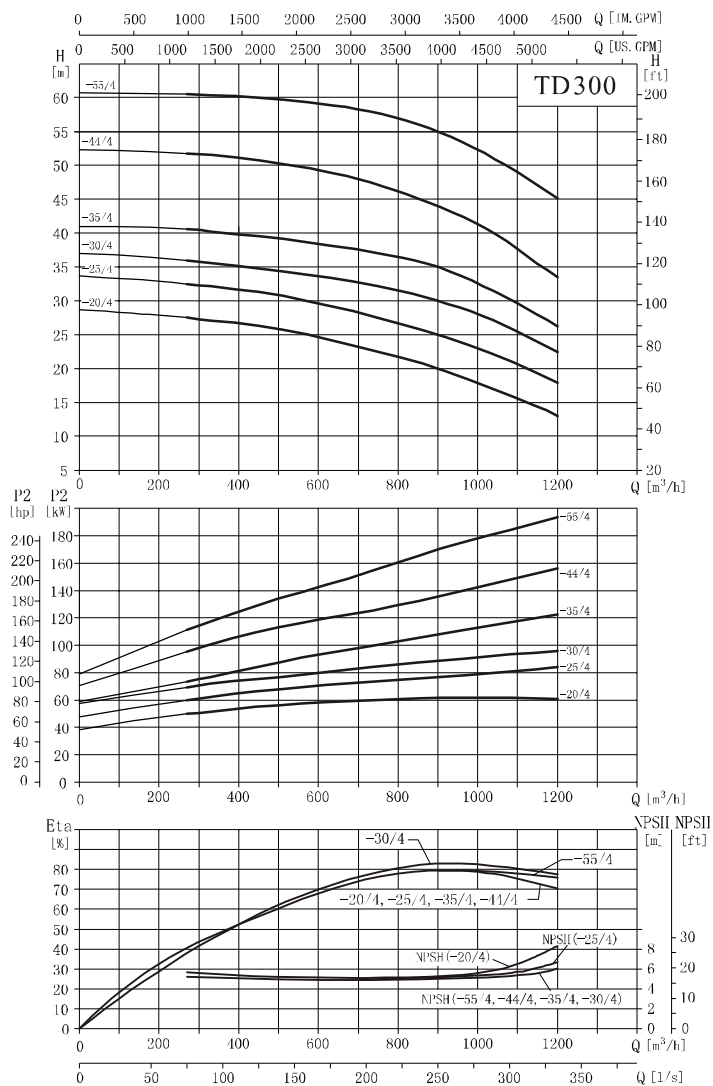


● Size and weight

Model	Size (mm)											Weight (kg)
	D	B1	B2	B3	B4	B5	H1	H2	H3	L1	L2	
TD250-14/4	450	450	335	316	243	390	300	495	1469	1100	550	610
TD250-17/4	450	450	335	316	243	390	300	495	1492	1100	550	647
TD250-20/4	550	490	365	316	243	390	300	495	1568	1100	550	720
TD250-26/4	550	550	400	329	264	440	300	507	1636	1100	550	906
TD250-32/4	550	550	400	329	264	440	300	507	1687	1100	550	997
TD250-40/4	660	625	555	347	292	440	305	525	1840	1200	600	1386
TD250-50/4	660	625	555	347	292	440	305	525	1990	1200	600	1469

● Performance curve

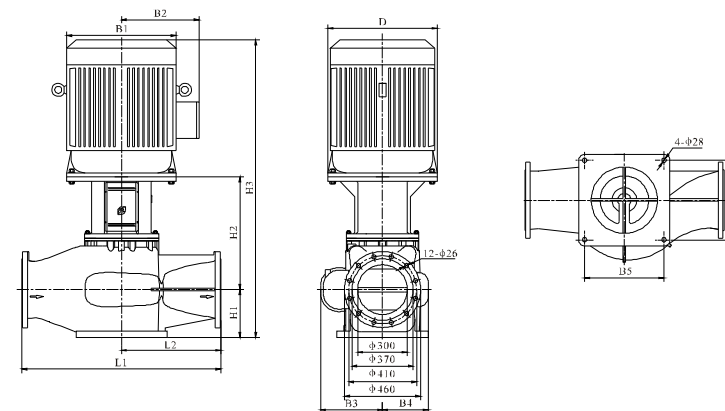
ISO9906 Annex A



● Performance table

Model	Driving motor		Q (m^3/h)	270	360	450	630	750	900	1080	1200
	(kW)	(hp)									
TD300-20/4	75	100	H (m)	27.5	27	26.3	24.3	22.5	20	16	13
TD300-25/4	90	120		32.5	32	31.3	29.3	27.6	25	21.1	17.9
TD300-30/4	110	150		36	35.4	34.8	33.4	32.1	30	26	22.4
TD300-35/4	132	180		40.6	40	39.6	38.2	37	35	30.2	26.3
TD300-44/4	160	215		51.8	51.3	50.7	49	47.1	44	38.5	33.5
TD300-55/4	200	270		60.5	60.3	60	58.9	57.7	55	49.6	45

● Installation sketch



● Size and weight

Model	Size (mm)											Weight (kg)
	D	B1	B2	B3	B4	B5	H1	H2	H3	L1	L2	
TD300-20/4	550	550	400	345	250	440	290	649	1770	1200	600	1070
TD300-25/4	550	550	400	345	250	440	290	649	1820	1200	600	1120
TD300-30/4	660	625	550	345	250	440	290	679	2200	1200	600	1460
TD300-35/4	660	625	550	345	250	440	290	679	2150	1200	600	1540
TD300-44/4	660	625	550	380	295	480	290	702	2150	1200	600	1780
TD300-55/4	660	625	550	380	295	480	290	702	2150	1200	600	1900

