



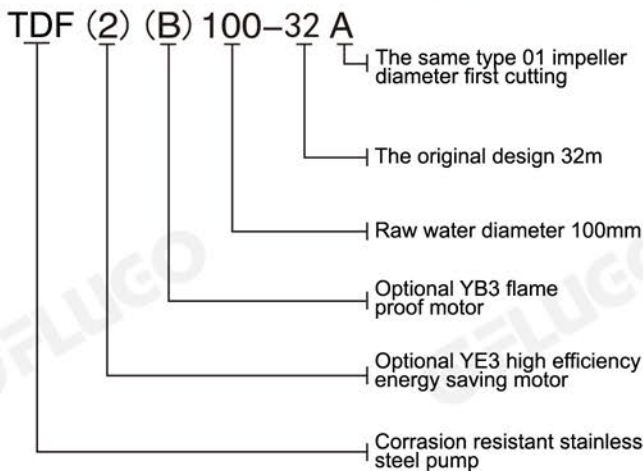
Technical Catalogue



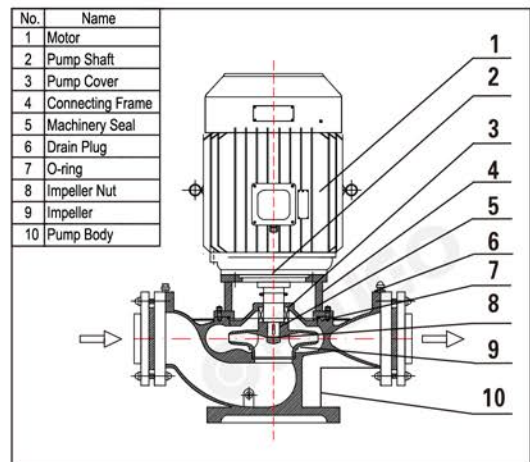
TDF Series

Stainless steel corrosion resistant
pipeline pump

Model Description



The product diagram



Food and medicine
 Plating and bleaching
 Sewage treatment
 Environmental protection engineering
 hvac
 Refrigeration engineering

The material

Pump sheel, impeller, rear cover, overflow component, 304 or 316L material standard mechanical sealing fluorine rubber/sillicon carbide/alloy (providing special sealing material according to need).

Use

Widely use in light spinning, oil and chemical industry. Metallurgy, environmental engineering, food processing and bleaching a corrosive liquid, such as acid, alkali, salt, or fiber, which does not contain solid particles or fibers. Organic compounds and other product.

The working conditions

Suitable for conveying of 304 or 316L stainless steel does not produce significant corrosion effect of liquid medium temperature 120°C environment temperature 40°C or higher level or higher suction level.



↓ Technical parameter list

Model	Flow Q		Heab H (m)	Revn (r/min)	Shaft power (KW)	motor		Efficiency (%)	(NPSH) r (m)	Inlet diameter (mm)
	m ³ /h	L/s				Power (KW)	Voltage			
TDF32-20	3.6	1.04	21	2900	0.41	0.75	380	40	3.2	32
	6	1.74	20		0.53			53		
	7.2	2.08	19		0.71			51		
TDF40-10	7.2	2	11	2900	0.43	0.75	380	50	3.2	40
	11.4	3.16	10		0.56			55		
	15.6	4.3	9		0.72			53		
TDF40-15	7.2	2	16	2900	0.63	1.1	380	50	3.2	40
	11.4	3.16	15		0.79			58.5		
	15.6	4.3	12		0.89			57		
TDF40-20	7.2	2	20.5	2900	0.79	1.5	380	52	3.2	40
	11.4	3.16	20		1.03			62		
	15.6	4.3	18		1.25			60		
TDF40-30	7.2	2	33	2900	1.32	2.2	380	44	3.2	40
	11.4	3.16	30		1.55			60		
	15.6	4.3	27.5		1.96			59		
TDF50-8	10.8	3	9.5	2900	0.6	0.75	380	46.5	3.5	50
	18	5	8		0.63			62		
	21.6	6	7.5		0.73			60		
TDF50-13	10.8	3	14	2900	0.68	1.1	380	56	3.5	50
	18	5	13		0.87			68		
	21.6	6	11		0.97			67		
TDF50-17	10.8	3	18.4	2900	1	1.5	380	54	3.5	50
	18	5	17		1.26			67		
	21.6	6	15.6		1.4			66		
TDF50-20	7.5	2.08	22	2900	1	1.5	380	45	2.5	50
	12.5	3.47	20		1.17			58		
	15	4.17	18.5		1.31			58		
TDF50-25	10.8	3	27	2900	1.72	2.2	380	46	3.5	50
	18	5	25		2.11			58		
	21.6	6	21		2.12			58		
TDF50-30	10.8	3	32	2900	2	3	380	46	3.5	50
	18	5	30		2.51			58.5		
	21.6	6	26		2.64			58		
TDF50-40	10.8	3	42	2900	2.75	4	380	45	3.5	50
	18	5	40		3.56			58		
	21.6	6	33		3.61			55		
TDF50-50	10.8	3	52	2900	3.57	5.5	380	40	3.5	50
	18	5	50		4.71			54		
	21.6	6	42		4.86			52		
TDF65-13	14	4.17	15	2900	0.74	1.5	380	60	3.5	65
	25	6.94	13		0.97			70		
	28	8.33	10		1.07			69		
TDF65-19	15	4.17	21	2900	1.43	2.2	380	60	3.5	65
	25	6.94	19		1.85			70		
	30	8.33	17		2.01			69		
TDF65-25	15	4.17	27	2900	2.08	3	380	53	3.5	65
	25	6.94	25		2.6			65		
	30	8.33	22		2.89			62		
TDF65-30	15	4.17	32	2900	2.49	4	380	52.5	3.5	65
	25	6.94	30		3.16			64.5		
	30	8.33	27		3.56			62		
TDF65-40	15	4.17	43	2900	3.44	5.5	380	51	3.5	65
	25	6.94	40		4.53			60		
	30	8.33	35		4.92			58		
TDF65-50	15	4.17	53	2900	4.61	7.5	380	47	3.5	65
	25	6.94	50		6.1			56		
	30	8.33	45		6.7			55		
TDF80-15	30	8.3	17	2900	2.16	3	380	65	2.5	80
	42	11.67	15		2.43			73		
	54	15	13		3.21			70		
TDF80-21	30	8.3	24	2900	2.8	4	380	67	2.5	80
	42	11.67	21		3.25			74		
	54	15	16		3.93			71		
TDF80-30	30	8.3	33	2900	4.22	5.5	380	62	2.5	80
	42	11.67	30		4.7			72.5		
	54	15	23		5.46			65		
TDF80-40	30	8.3	43	2900	5.38	7.5	380	65	2.5	80
	42	11.67	40		6.6			69.5		
	54	15	32		7			67		
TDF80-50	30	8.3	52	2900	7.7	11	380	55	2.5	80
	42	11.67	50		8.4			70		
	54	15	42		8.8			68		
TDF100-15	43	11.7	18	2900	2.3	4	380	68	3.5	100
	50	13.8	15		3.15			74		
	58	15.3	12		3.57			71		
TDF100-19	60	16.7	21	2900	5.44	7.5	380	69	4	100
	90	25	19		6.2			75		
	120	33.3	14		6.85			74		
TDF100-19A	50	13.9	17	2900	3.73	5.5	380	62	4	100
	80	22.2	15		4.35			76		
	110	30.6	11.5		4.53			75		
TDF100-21	39	10.8	24	2900	3.98	5.5	380	64	3	100
	60	16.7	21		4.7			73		
	75	20.8	16		4.74			69		

↓ Technical parameter list

Model	Flow Q		Heab H (m)	Revn (r/min)	Shaft power (KW)	motor		Efficiency (%)	(NPSH) r (m)	Inlet diameter (mm)
	m ³ /h	L/s				Power (KW)	Voltage			
TDF100-30	30	8.3	32	2900	4.48	7.5	380	62	3.5	100
	50	13.9	30		5.27			70		
	60	16.7	23		5.77			68		
TDF100-32	60	16.7	35	2950	8.41	15	380	68	4	100
	100	27.8	32		11.46			76		
	120	33.3	28		12.53			73		
TDF100-32A	60	16.7	30	2950	7.46	11	380	69	4	100
	90	25	28		8.03			76		
	120	33.3	26		10.59			74		
TDF100-50	30	8.3	52	2950	8.32	15	380	52	3.5	100
	50	13.9	50		10.3			69		
	60	16.7	42		11.13			66		
TDF100-50A	30	8.3	50	2950	7.68	11	380	52	3.5	100
	50	13.9	46		9.63			68		
	60	16.7	43		10.33			65		
TDF125-20	96	26.7	22.6	2900	8.52	15	380	72	5	125
	160	44.4	20		11.62			76		
	192	53.3	17		13.01			75		
TDF125-20A	86	23.9	18	2900	6.91	11	380	77	4	125
	143	39.7	16		8.56			77		
	172	47.8	13.6		9.36			77		
TDF125-32	96	26.7	36	2900	14.02	22	380	78	4	125
	160	44.4	32		18.2			78		
	192	53.3	28		20.11			78		
TDF125-32A	96	25	31.5	2900	11.36	18.5	380	76	4	125
	150	41.7	28		15.01			76		
	180	50	24.5		16.11			76		
TDF125-50	96	26.7	55	2900	19.92	37	380	77	5.5	125
	160	44.4	50		27.93			77		
	192	53.3	46		32.11			77		
TDF125-50A	90	25	48.4	2900	16.47	30	380	76	5.5	125
	150	41.7	44		23.1			76		
	180	50	40.5		27.2			76		

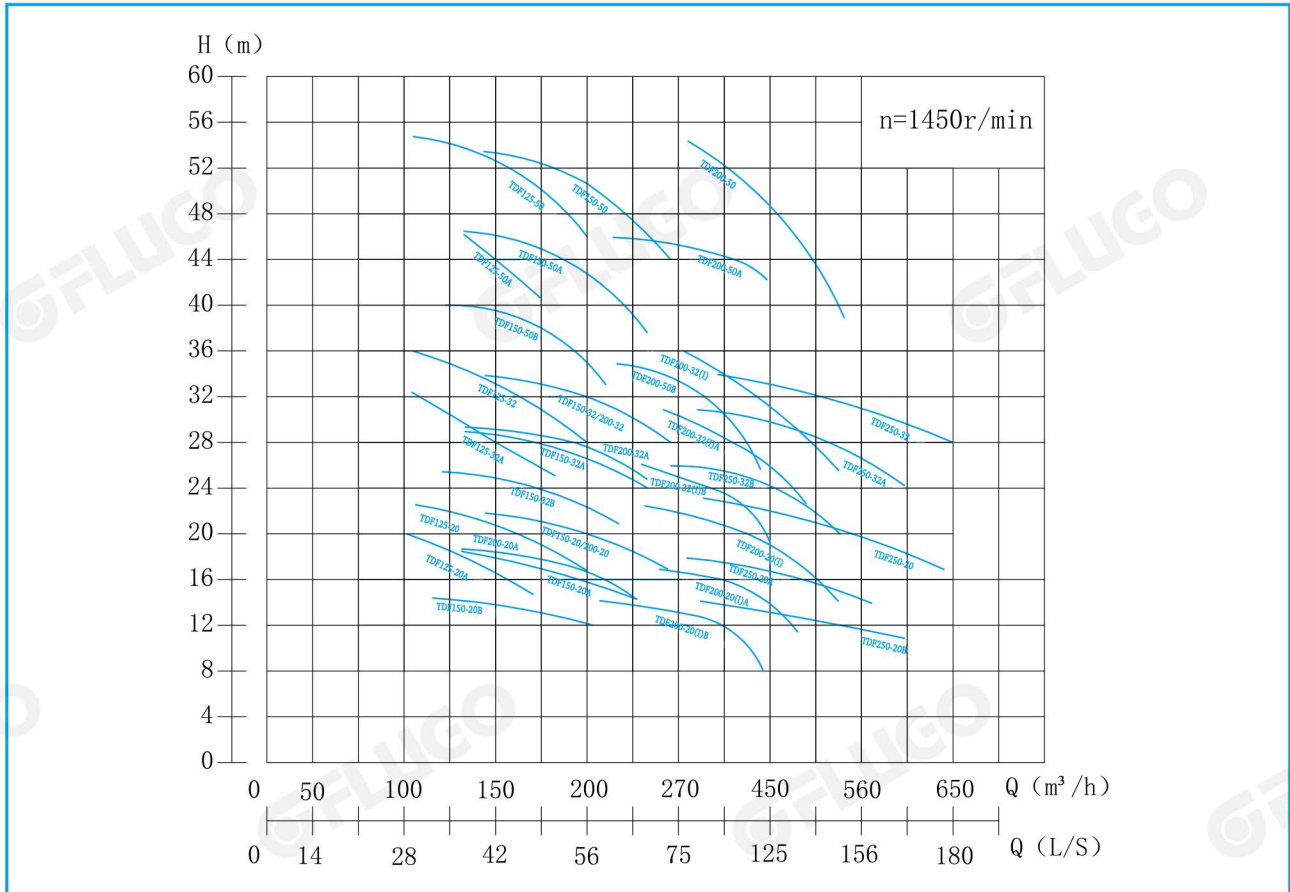
↓ Technical parameter list

Model	Flow Q		Heab H (m)	Revn (r/min)	motor		Efficiency (%)	(NPSH) r (m)	Inlet diameter (mm)
	m ³ /h	L/s			Power (KW)	Voltage			
TDF125-20	110	30.6	23	1480	15	380	72	4	125
	160	44.4	20				77		
	200	55.6	17				75		
TDF125-20A	105	30.1	20	1480	11	380	71	4.2	125
	150	42.3	17				76		
	172	45.4	15				74		
TDF125-32	110	30.6	36	1450	22	380	72	5.9	125
	160	44.4	32				76		
	200	55.6	28				74.5		
TDF125-32A	112	38.3	33	1450	18.5	380	72	3.7	125
	150	55.4	28				78		
	183	71.2	26				76		
TDF125-50	110	30.6	55	1480	37	380	71	5.6	125
	160	44.4	50				75		
	200	55.6	45				73		
TDF125-50A	133	39.2	46	1480	30	380	70	5.3	125
	150	55.4	44				74		
	173	45.3	41				71		
TDF150-20	140	38.9	21.8	1480	18.5	380	73	5	150
	200	55.6	20				77		
	260	72.2	17				76		
TDF150-20A	129	35.8	18.5	1450	15	380	72	3	150
	184	51.1	17				78		
	240	66.7	14.4				76		
TDF150-20B	117	32	15	1450	11	380	76	3	150
	167	46.3	14				76		
	217	60	12				76		
TDF150-32	140	38	33	1450	30	380	78	2.5	150
	200	55	32				78		
	260	72	28				78		
TDF150-32A	131	36	29	1450	22	380	77	3.5	150
	187	51	28				77		
	243	67	24				77		
TDF150-32B	121	33	25	1450	18.5	380	76	3.5	150
	171	47	24				76		
	225	62	21				76		
TDF150-50	140	39	53	1450	45	380	75	3.5	150
	200	55	50				75		
	260	72	44				75		
TDF150-50A	131	36	46	1450	37	380	74	3.5	150
	187	51	44				74		
	243	67	38				74		

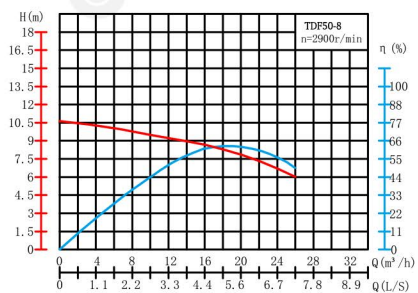
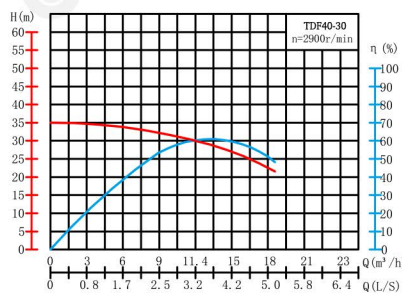
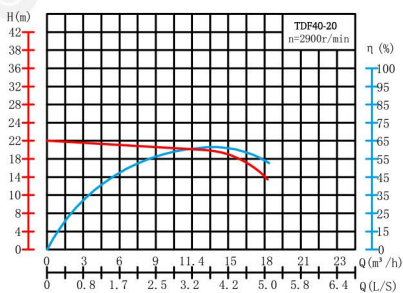
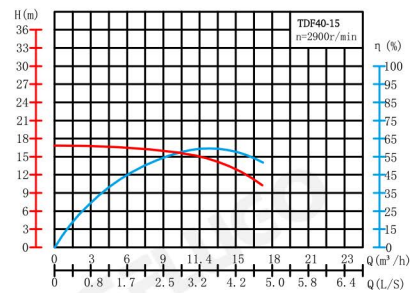
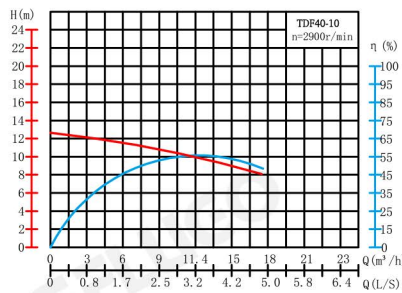
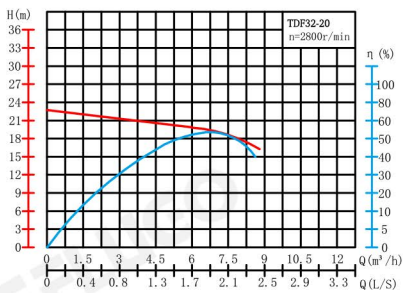
↓ **Technical parameter list**

Model	Flow Q		Heab H (m)	Revn (r/min)	motor		Efficiency (%)	(NPSH) r (m)	Inlet diameter (mm)
	m ³ /h	L/s			Power (KW)	Voltage			
TDF150-50B	122	34	40	1450	30	380	73	3.5	150
	174	48	38						
	226	63	33						
TDF200-20	140	38.9	22	1450	18.5	380	74	3	200
	200	55.6	20						
	260	72.2	17						
TDF200-20A	130	36.2	18.5	1450	15	380	73	3	200
	186	51.3	17						
	240	66.7	14.4						
TDF200-32	140	38.9	33.8	1450	30	380	76	3.5	200
	200	55.6	32						
	260	72.2	28						
TDF200-32A	131	36.4	29.5	1450	22	380	75	3.5	200
	190	51.9	28						
	243	67.5	24.5						
TDF200-20(I)	280	77	22	1450	30	380	78	4	200
	400	111	20						
	520	144	14						
TDF200-20(I)A	250	69	18	1450	22	380	78	4	200
	358	99	16						
	465	129	11						
TDF200-20(I)B	226	62	14	1450	18.5	380	75	4	200
	322	89	13						
	419	116	8						
TDF200-32(I)	280	78	36	1450	55	380	80	4	200
	400	111	32						
	520	144	26						
TDF200-32(I)A	262	73	31	1450	45	380	79	4	200
	374	103	28						
	486	135	23						
TDF200-32(I)B	242	67	27	1450	37	380	78	4	200
	346	96	24						
	450	125	19						
TDF200-50	280	78	54	1450	75	380	81	4	200
	400	111	50						
	520	144	39						
TDF200-50A	242	67	42	1450	55	380	78	4	200
	346	96	38						
	450	125	30						
TDF200-50B	224	62	35	1450	45	380	76	4	200
	320	89	32						
	416	115	25						
TDF250-20	350	97	22	1450	45	380	82	5	250
	550	152	20						
	650	180	16						
TDF250-20A	300	83	18	1450	37	380	80	5	250
	500	139	17						
	600	167	14						
TDF250-20B	300	83	14	1450	22	380	80	5	250
	500	139	13						
	600	166	11						
TDF250-32	350	97	34	1450	75	380	80	5	250
	500	152	32						
	650	180	28						
TDF250-32A	300	83	30	1450	55	380	78	5	250
	500	139	28						
	600	166	24						
TDF250-32B	260	73	25	1450	45	380	74	5	250
	450	125	24						
	520	144	20						

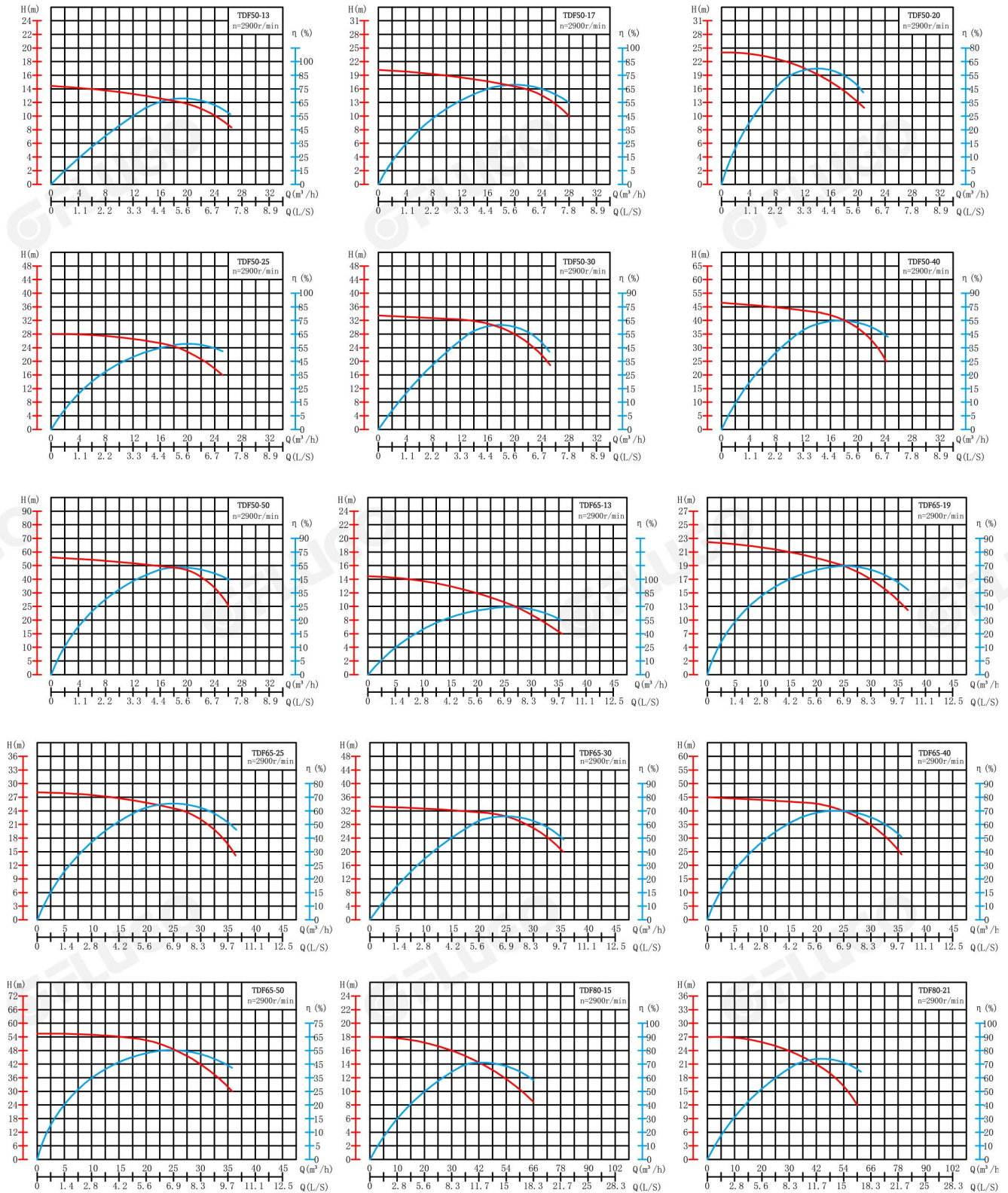
↓ Type Spectrogram



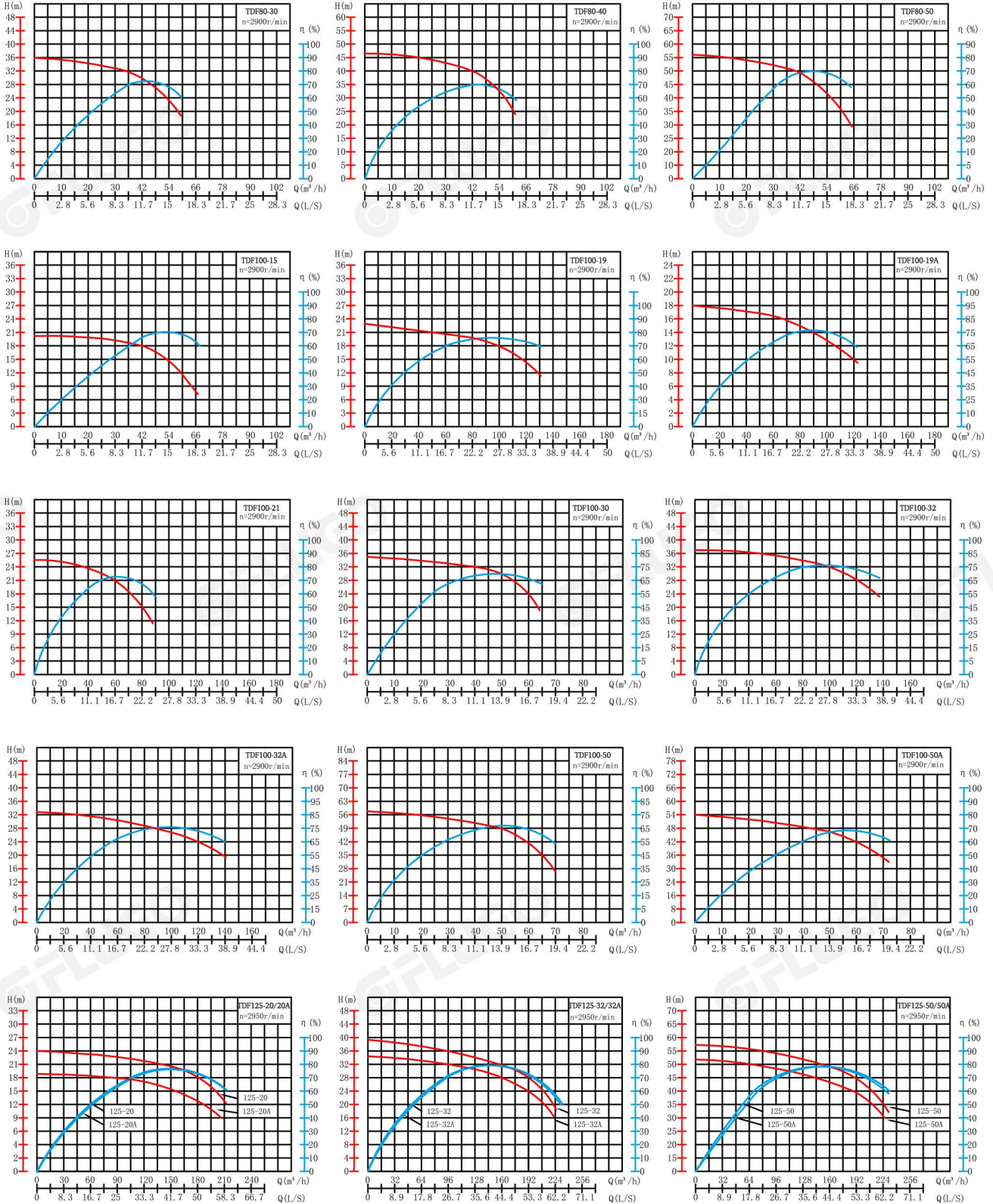
↓ Performance graph



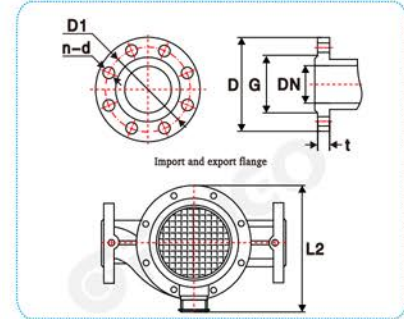
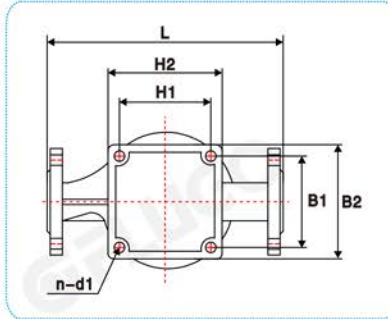
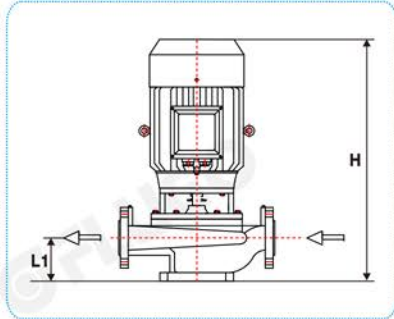
Performance graph



Performance graph



↓ **GDF pipe pump installation dimensional exterior drawing**

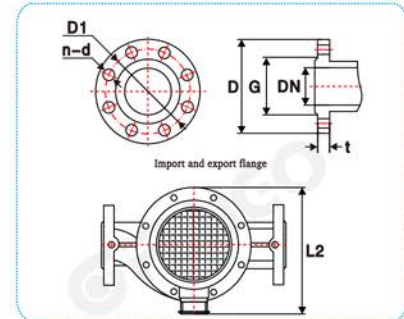
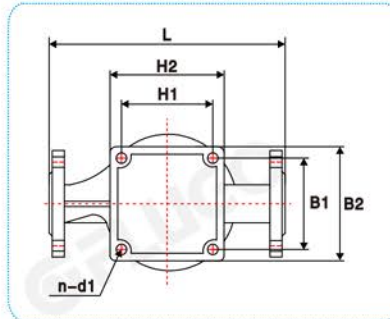
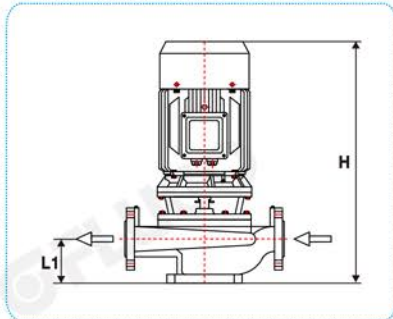


↓ **Installation size list**

Installation size data unit (mm) 2900r/min

Model	Outline dimensions									Import and export flange dimensions						Power (KW)
	L	L1	L2	H	H1	H2	B1	B2	n-d1	DN	G	D1	D	t	n-d	
TDF32-20	285	80	230	430	100	130			4-Φ13	32	70	90	115	13	4-Φ16	0.75
TDF40-10	305	90	250	450	95	120	105	130	4-Φ14	40	78	110	150	14	4-Φ16	0.75
TDF40-15	305	90	260	450	95	120	105	130	4-Φ14	40	78	110	150	14	4-Φ16	1.1
TDF40-20	305	90	280	460	95	120	105	130	4-Φ14	40	78	110	150	14	4-Φ16	1.5
TDF40-30	330	90	300	500	120	150	120	150	4-Φ14	40	78	110	150	14	4-Φ16	2.2
TDF50-8	320	95	250	450	120	150	120	150	4-Φ14	50	85	125	160	14	4-Φ16	0.75
TDF50-13	320	95	260	460	120	150	120	150	4-Φ14	50	85	125	160	14	4-Φ16	1.1
TDF50-17	320	95	280	470	120	150	120	150	4-Φ14	50	85	125	160	14	4-Φ16	1.5
TDF50-20	320	95	280	470	120	150	120	150	4-Φ14	50	85	125	160	14	4-Φ16	1.5
TDF50-25	330	90	300	500	120	150	120	150	4-Φ14	50	85	125	160	14	4-Φ16	2.2
TDF50-30	330	90	320	520	120	150	120	150	4-Φ14	50	85	125	160	14	4-Φ16	3
TDF50-40	355	100	350	565	110	150	130	170	4-Φ16	50	85	125	160	14	4-Φ16	4
TDF50-50	355	100	380	610	110	150	130	170	4-Φ16	50	85	125	160	14	4-Φ16	5.5
TDF65-13	345	105	280	480	120	150	120	150	4-Φ14	65	105	145	185	14	4-Φ16	1.5
TDF65-19	345	105	300	510	120	150	120	150	4-Φ14	65	105	145	185	14	4-Φ16	2.2
TDF65-25	350	110	320	560	130	170	130	170	4-Φ16	65	105	145	185	15	4-Φ16	3
TDF65-30	350	110	350	590	130	170	130	170	4-Φ16	65	105	145	185	15	4-Φ16	4
TDF65-40	385	100	380	610	110	150	140	180	4-Φ16	65	105	145	185	15	4-Φ16	5.5
TDF65-50	385	100	380	610	110	150	140	180	4-Φ16	65	105	145	185	15	4-Φ16	7.5
TDF80-15	375	115	320	566	140	180	140	180	4-Φ18	80	125	160	200	15	8-Φ18	3
TDF80-21	375	115	350	590	140	180	140	180	4-Φ18	80	125	160	200	15	8-Φ18	4
TDF80-30	410	125	380	630	110	150	140	180	4-Φ18	80	125	160	200	18	8-Φ18	5.5
TDF80-40	420	125	380	630	140	180	160	200	4-Φ18	80	125	160	200	16	8-Φ18	7.5
TDF80-50	430	125	500	795	140	180	160	200	4-Φ18	80	125	160	200	16	8-Φ18	11
TDF100-15	420	130	380	605	140	180	160	200	4-Φ18	100	150	180	220	16	8-Φ18	4
TDF100-19	460	145	380	672	160	200	160	200	4-Φ18	100	150	180	220	16	8-Φ18	7.5
TDF100-19A	460	145	380	672	160	200	160	200	4-Φ18	100	150	180	220	16	8-Φ18	5.5
TDF100-21	420	130	380	643	140	180	160	200	4-Φ18	100	150	180	220	16	8-Φ18	5.5
TDF100-30	410	155	380	662	140	180	160	200	4-Φ18	100	150	180	220	16	8-Φ18	7.5
TDF100-32	460	145	530	820	160	200	160	200	4-Φ18	100	150	180	220	16	8-Φ18	15
TDF100-32A	460	145	530	820	160	200	160	200	4-Φ18	100	150	180	220	16	8-Φ18	11
TDF100-50	455	145	530	798	160	200	160	200	4-Φ18	100	150	180	220	16	8-Φ18	15
TDF100-50A	455	145	530	798	160	200	160	200	4-Φ18	100	150	180	220	16	8-Φ18	11
TDF125-20	525	160	490	830	140	190	240	280	4-Φ18	125	185	210	250	24	8-Φ18	15
TDF125-20A	525	160	490	830	140	190	240	280	4-Φ18	125	185	210	250	24	8-Φ18	11
TDF125-32	520	170	515	980	140	190	240	280	4-Φ18	125	185	210	250	24	8-Φ18	22
TDF125-32A	520	170	510	980	140	190	240	280	4-Φ18	125	185	210	250	24	8-Φ18	18.5
TDF125-50	570	150	700	1150	200	250	240	300	4-Φ18	125	185	210	250	24	8-Φ18	37
TDF125-50A	570	150	660	1150	200	250	240	300	4-Φ18	125	185	210	250	24	8-Φ18	30

↓ GDF pipe pump installation dimensional exterior drawing



↓ Installation size list

Installation size data unit (mm) 1400r/min

Model	Outline dimensions									Import and export flange dimensions						Power (KW)
	L	L1	L2	H	H1	H2	B1	B2	n-d1	DN	G	D1	D	t	n-d	
TDF125-20	700	200	490	885	120	160	180	220	4-φ18	125	185	210	250	23	8-φ18	15
TDF125-20A	700	200	490	885	120	160	180	220	4-φ18	125	185	210	250	23	8-φ18	11
TDF125-32	725	200	510	1030	190	250	240	300	4-φ18	125	185	210	250	23	8-φ18	22
TDF125-32A	725	200	510	1030	190	250	240	300	4-φ18	125	185	210	250	23	8-φ18	18.5
TDF125-50	725	200	700	1070	190	250	240	300	4-φ18	125	185	210	250	25	8-φ18	37
TDF125-50A	725	200	660	1070	190	250	240	300	4-φ18	125	185	210	250	25	8-φ18	30
TDF150-20	700	200	510	1030	210	250	260	300	4-φ22	150	210	240	285	25	8-φ22	18.5
TDF150-20A	700	200	490	885	210	250	260	300	4-φ22	150	210	240	285	25	8-φ22	15
TDF150-20B	700	200	490	885	210	250	260	300	4-φ22	150	210	240	285	25	8-φ22	11
TDF150-32	760	200	660	1180	190	250	240	300	4-φ22	150	210	240	285	25	8-φ22	30
TDF150-32A	760	200	510	1030	190	250	240	300	4-φ22	150	210	240	285	25	8-φ22	22
TDF150-32B	760	200	510	1030	190	250	240	300	4-φ22	150	210	240	285	25	8-φ22	18.5
TDF150-50	800	210	720	1076	210	250	260	300	4-φ22	150	210	240	285	25	8-φ22	45
TDF150-50A	800	210	700	1036	210	250	260	300	4-φ22	150	210	240	285	25	8-φ22	37
TDF150-50B	800	210	660	1036	210	250	260	300	4-φ22	150	210	240	285	25	8-φ22	30
TDF200-20	750	210	510	1026	240	300	310	370	4-φ22	200	260	295	340	25	12-φ22	18.5
TDF200-20A	750	210	490	1026	240	300	310	370	4-φ22	200	260	295	340	25	12-φ22	15
TDF200-32	800	210	660	1020	220	280	270	320	4-φ22	200	260	295	340	25	12-φ22	30
TDF200-32A	800	210	510	1020	220	280	270	320	4-φ22	200	260	295	340	25	12-φ22	22
TDF200-20(I)	840	230	660	1068	250	300	320	370	4-φ22	200	260	295	340	25	12-φ22	30
TDF200-20(I)A	840	230	510	1066	250	300	320	370	4-φ22	200	260	295	340	25	12-φ22	22
TDF200-20(I)B	840	230	510	1066	250	300	320	370	4-φ22	200	260	295	304	25	12-φ22	18.5
TDF200-32(I)	860	240	780	1196	250	300	320	370	4-φ22	200	260	295	340	25	12-φ22	55
TDF200-32(I)A	860	240	720	1120	250	300	320	370	4-φ22	200	260	295	340	25	12-φ22	45
TDF200-32(I)B	860	240	700	1080	250	300	320	370	4-φ22	200	260	295	304	25	12-φ22	37
TDF200-50	880	250	780	1300	250	300	320	370	4-φ22	200	260	295	340	25	12-φ22	75
TDF200-50A	880	250	780	1270	250	300	320	370	4-φ22	200	260	295	340	25	12-φ22	55
TDF200-50B	880	250	720	1185	250	300	320	370	4-φ22	200	260	295	340	25	12-φ22	45
TDF250-20	1110	320	720	1145	330	400	430	500	4-φ26	250	310	350	400	30	12-φ26	45
TDF250-20A	1110	320	700	1145	330	400	430	500	4-φ26	250	310	350	400	30	12-φ26	37
TDF250-20B	1110	320	510	1145	330	400	430	500	4-φ26	250	310	350	400	30	12-φ26	22
TDF250-32	1110	325	780	1350	330	400	430	500	4-φ26	250	310	350	400	30	12-φ26	75
TDF250-32A	1110	325	780	1350	330	400	430	500	4-φ26	250	310	350	400	30	12-φ26	55
TDF250-32B	1110	325	720	1330	330	400	430	500	4-φ26	250	310	350	400	30	12-φ26	45



Authorized Distributor

stainless steel corrosion resistant pipeline pump